



Edison Medical

## UniBase™ System

By Nikola Khoury

## Multi-Clicq™ System

iOS3® SP

Conical Connection



Digital Dentistry

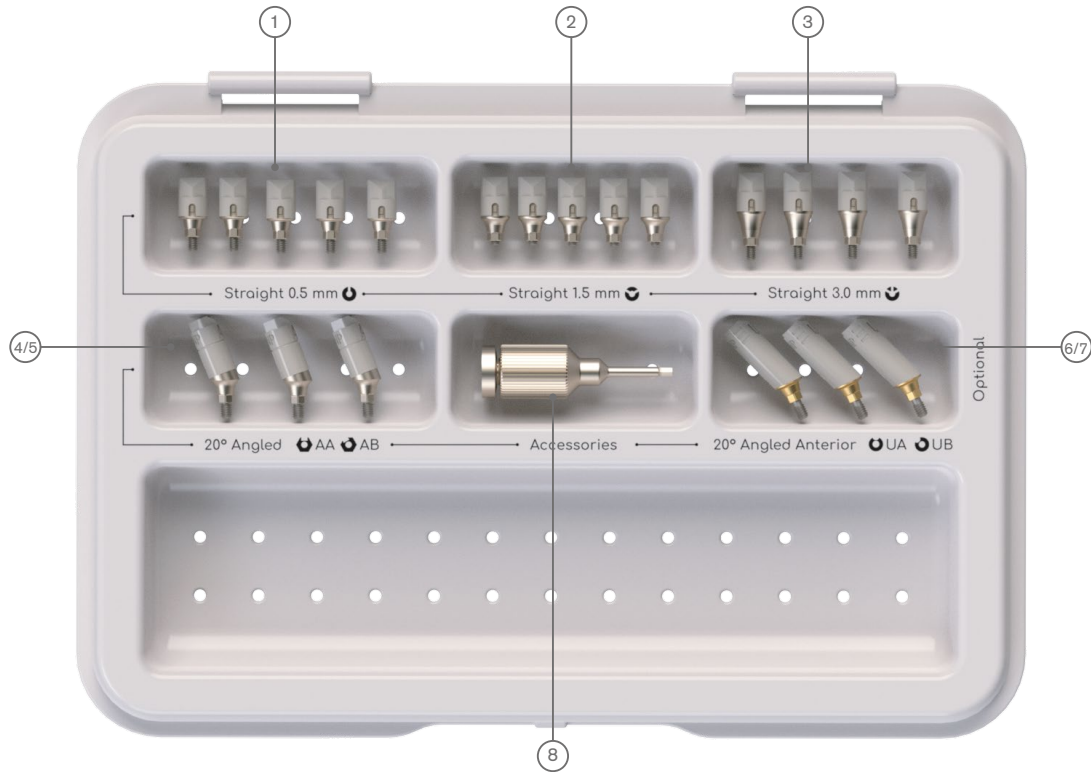
Zinon

# UniBase™ System

By Nikola Khoury

## Abutment Level Coded Scan Posts

Patent Pending



### Scan Post - Professional & Starter Kit

Conical Connection	Basic Kit	Starter Kit	Professional Kit
iOS3® SP	SP-OS-SPBK*	SP-OS-SPSK*	SP-OS-SPPK

#### Scan Post - Basic Kit

- 1 - Straight Scan Post H 0.5mm - 5 pcs / 3 pcs\*
- 2 - Straight Scan Post H 1.5mm - 5 pcs / 3 pcs\*
- 3 - Straight Scan Post H 3.0mm - 4 pcs / 2 pcs\*
- 4 - Hand Driver



#### Scan Post - Professional Kit

- 1 - Straight Scan Post H 0.5mm - 5 pcs
- 2 - Straight Scan Post H 1.5mm - 5 pcs
- 3 - Straight Scan Post H 3.0mm - 4 pcs
- 4 - 20° Angled Scan Post - Standard AA Type - 2 pcs
- 5 - 20° Angled Scan Post - Standard AB Type - 1 pcs
- 6 - 20° Angled Scan Post - Anterior UA Type - 2 pcs\*
- 7 - 20° Angled Scan Post - Anterior UB Type - 1 pcs\*
- 8 - Hand Driver

#### Scan Post - Starter Kit

- 1 - Straight Scan Post H 0.5mm - 3 pcs
- 2 - Straight Scan Post H 1.5mm - 3 pcs
- 3 - Straight Scan Post H 3.0mm - 2 pcs
- 4 - 20° Angled Scan Post - Standard AA Type - 1 pcs
- 5 - 20° Angled Scan Post - Standard AB Type - 1 pcs
- 6 - 20° Angled Scan Post - Anterior UA Type - 1 pcs\*
- 7 - 20° Angled Scan Post - Anterior UB Type - 1 pcs\*
- 8 - Hand Driver

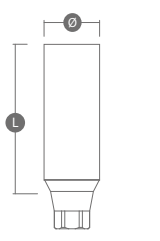

# UniBase™ System

By Nikola Khoury

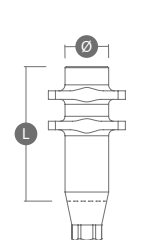
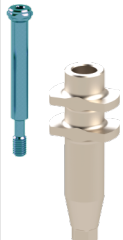
## Digital and Manual Impression



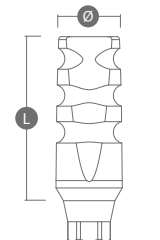
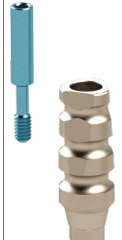
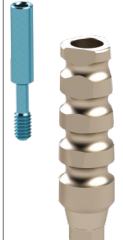
### Digital Scan Body Classic Implant Level Scan

	
L	11mm
Ø	4mm
<b>Conical Connection</b>	
iOS3® SP	SB-OS-SP

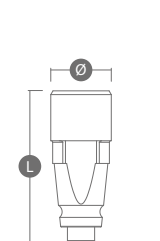

### Open Tray Transfer

	
L	12mm
Ø	3.6mm
<b>Conical Connection</b>	
iOS3® SP	OT-OS-SP

### Closed Tray Transfer

		
L	9mm	12mm
Ø	3.8mm	3.8mm
<b>Conical Connection</b>		
iOS3® SP	CT-OS-SPSN	CT-OS-SPSN

### Digital Implant Analog

	
L	10mm
Ø	3.5mm
<b>Conical Connection</b>	
iOS3® SP	DIA-OS-SP

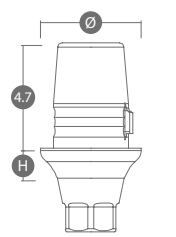

# UniBase™ System

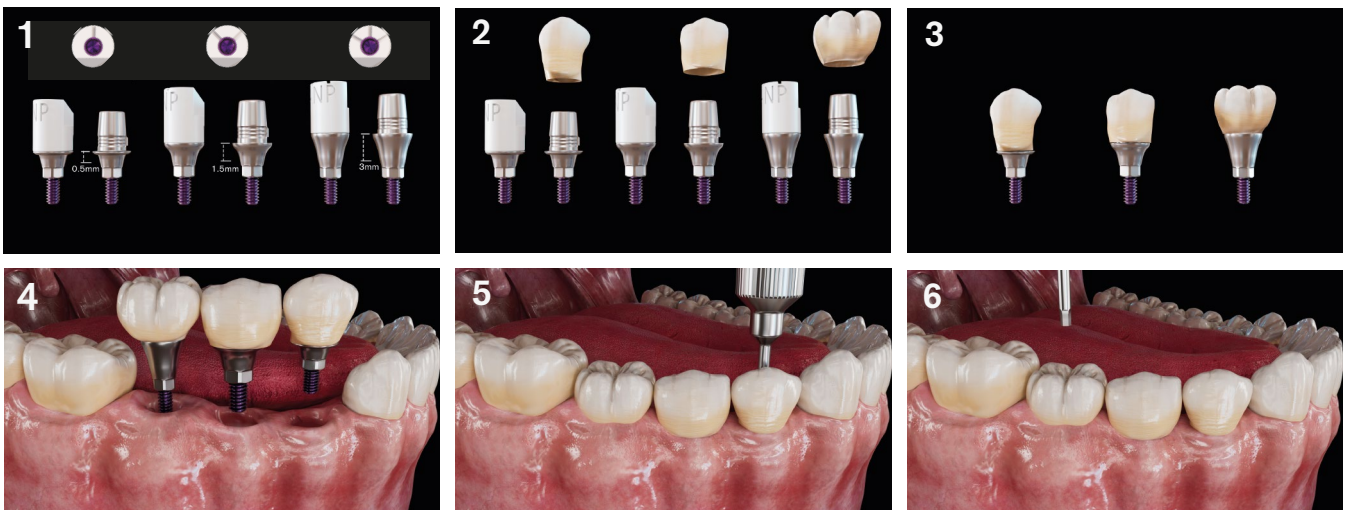
By Nikola Khoury

## Straight Titanium Bases



### UniBase™ - Straight Ti-Base

						
<b>H</b> Gingival Height	0.5mm	1.5mm	3.0mm	0.5mm	1.5mm	3.0mm
<b>Ø</b>	4.5mm	4.5mm	4.5mm	4.5mm	4.5mm	4.5mm
<b>Conical Connection</b>	<b>Anti-Rotational / Engaged</b> 			<b>Rotational / Non-Engaged</b> 		
<b>iOS3® SP</b>	TBC-OS-SP	TBC-OS-SP15	TBC-OS-SP30	TBC-OS-SPR	TBC-OS-SP15R	TBC-OS-SP30R

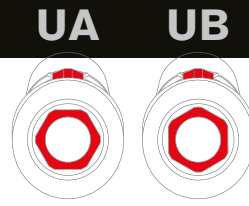


# UniBase™ System

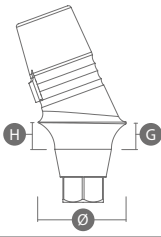


By Nikola Khoury

## 20° Angled Ti-Bases

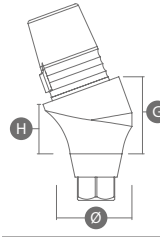


Patent Pending



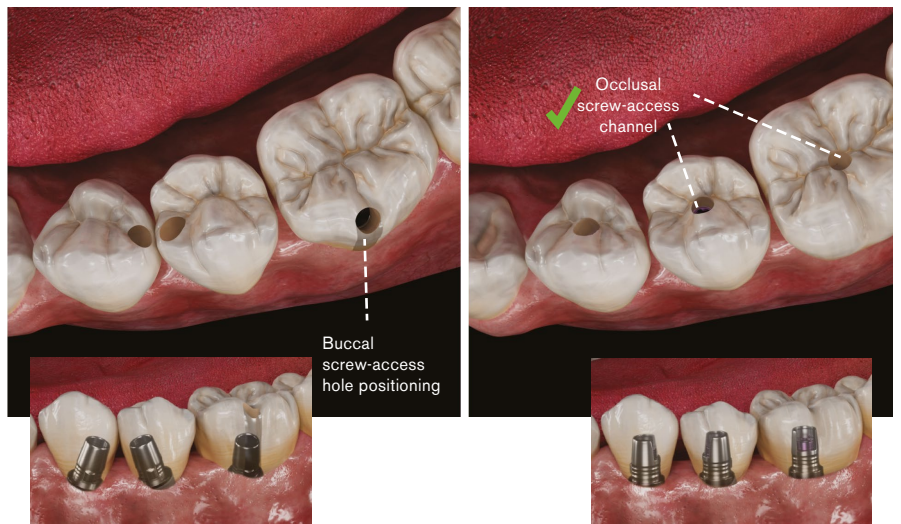
### 20° Angled Ti-Base - Anterior (U Type)

	UA	UB
		
H / G	0.7mm/0.7mm	0.7mm/0.7mm
Ø	4.5mm	4.5mm
<b>Conical Connection</b>		
<b>iOS3® SP</b>	TBC-OS-SP2007UA	TBC-OS-SP2007UB

### 20° Angled Ti-Base - Standard (A Type)

	AA	AB
		
H / G	1.5mm/3.0mm	1.5mm/3.0mm
Ø	4.5mm*	4.5mm*
<b>Conical Connection</b>		
<b>iOS3® SP</b>	TBC-OS-SP2015A	TBC-OS-SP2015B

\* Zimax® WP Ø 5.2mm



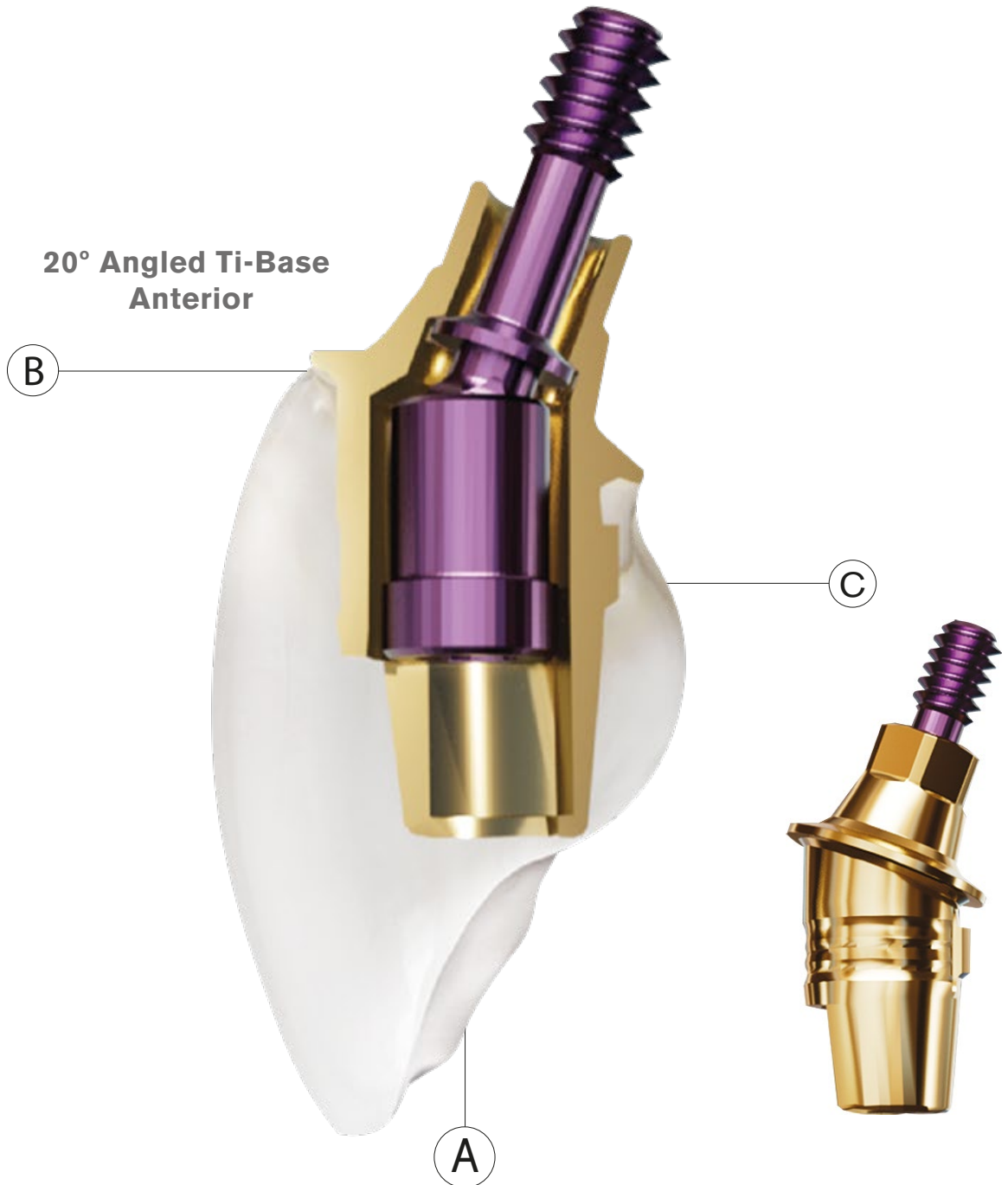
# UniBase™ System

By Nikola Khoury

## 20° Angled Ti-Bases - Characteristics



⚠ Max. Tightening Torque 22-25 NCM



### A-Simplicity!

A unique architectural design allows for the use of a standard screwdriver when mounting the UniBase, no special tools necessary.

### B-Engineering!

The flat surface of the shoulder makes for an angulated base that interacts with the implant system in the same manner as a non-angulated base, allowing laboratories to use standard CAD/CAM procedures during the milling process.

### C-Innovation!

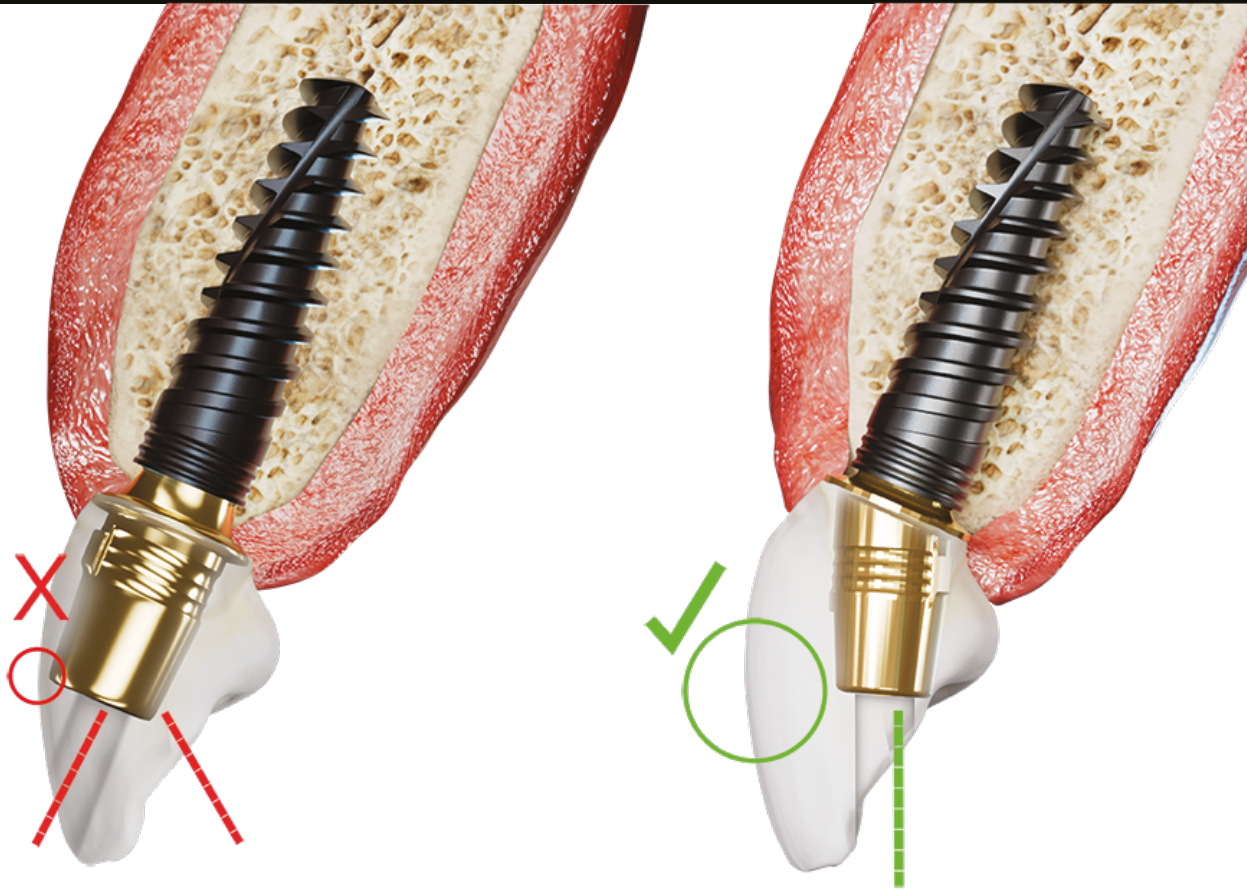
Our UniBase features an exclusive mechanism with a built-in "joint-shaft" that is secured into place during the fabrication process.

# UniBase™ System

By Nikola Khoury

20° Angled Ti-Bases

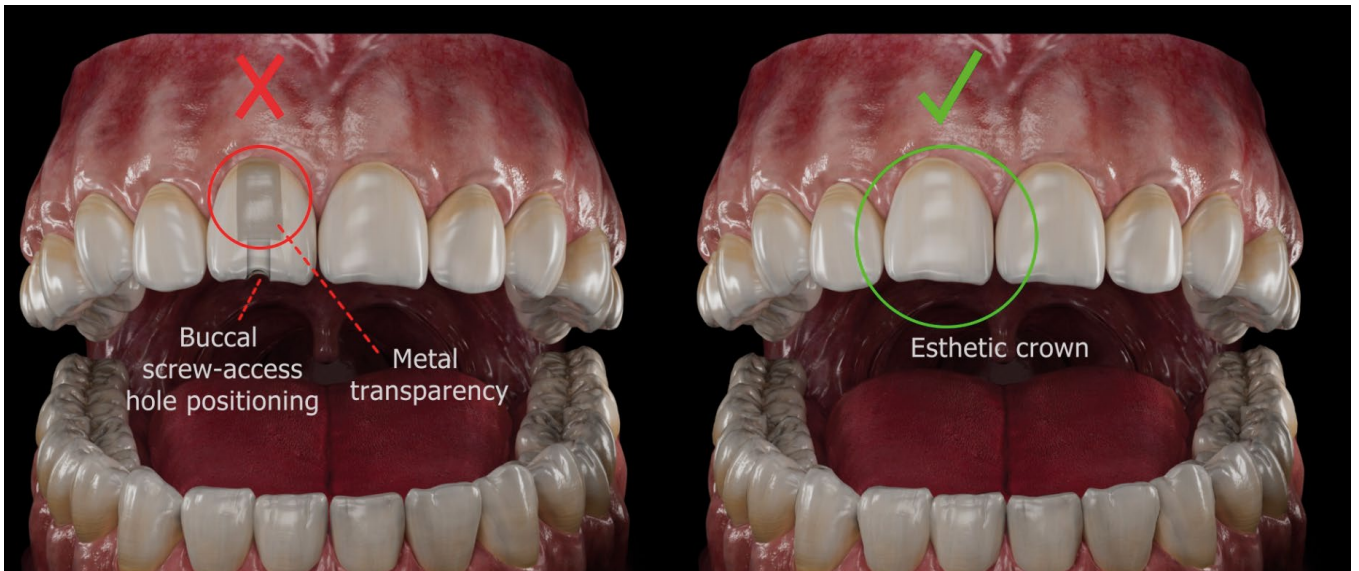
Patent Pending



Unfavorable buccal screw-access channel

Lingual angled screw-access channel

Ideal lingual screw-access channel

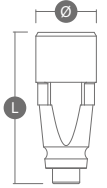



# Lab Analogs

## Digital Implant Analogs



### Digital Implant Analog

	
L	10mm
Ø	3.5mm
<b>Conical Connection</b>	
iOS3® SP	DIA-OS-SP

### Connection Chart / Codes

Conical Connection	Connection code
ARTIC® NP	NA-NP
ARTIC® RP	NA-RP
FORTIS® RP	TS-RP
iOS3® SP	OS-SP
MORSY® RP	AR-RP
T-Oss® NP/Mini	TS-NP
Astix® WP	OS-WP
Nyo® RP	GM-RP
Gross® NC	CF-NC
Gross® RC	CF-RC
Internal Hex	Connection code
LAMINA® RP	SV-RP
Lgc® NL	SV-NL
Mass® NP	SV-NP
Zimax® WP	SV-WP



#### \* Digital Analogs

NP / NC / NL / SP Platform Ø 3.5mm  
 RP Platform Ø 4.0mm  
 WP Platform Ø 4.5mm

#### \* Straight TiBases

NP / NC / NL / SP Platform Ø 4.2mm / 4.5mm  
 RP Platform Ø 4.2mm / 4.5mm  
 WP Platform Ø 4.8mm / 5.2mm

#### \* Angled TiBases

NP / NC / NL / SP Platform Ø 4.5mm  
 RP Platform Ø 4.5mm  
 WP Platform Ø 4.8mm / 5.2mm

Enjoy our  
**Multi Unit**  
System



# Multi Unit System

## Classic Line M1.4



### Straight MUA Abutment - Classic Line M1.4

					
<b>H</b>	1.5mm	2.5mm	3.5mm	4.5mm	5.5mm
<b>Conical Connection</b>					
<b>iOS3® SP</b>	MUL-OS-SPNB15	MUL-OS-SPNB25	MUL-OS-SPNB35	MUL-OS-SPNB45	MUL-OS-SPNB55

**M1.4**  
Fixation Screw  
Max. Torque 15NCM




### 17° Angled - Classic Line M1.4


						
<b>H/G</b>	1mm/2.5mm	2mm/3.5mm	3mm/4.5mm	1mm/3.5mm	2mm/4.5mm	3mm/5.5mm
<b>Conical Connection</b>	<b>17°</b>	<b>17°</b>	<b>17°</b>	<b>30°</b>	<b>30°</b>	<b>30°</b>
<b>iOS3® SP</b>	MUL-OS-SPNB1710	MUL-OS-SPNB1720	MUL-OS-SPNB1730	MUL-OS-SPNB3010	MUL-OS-SPNB3020	MUL-OS-SPNB3030

### 30° Angled

### Healing Cap


<b>L</b> 5.2mm
<b>Hex 1.25/Unigrip</b>
MUL-NB-HAUG

### MUA Scan Body


<b>L</b> 10mm
<b>Hex 1.25/Unigrip</b>
MUL-NB-SBUG


### Closed Transfer


<b>L</b> 7.2mm
<b>Hex 1.25/Unigrip</b>
MUL-NB-PUPUG


### Open Transfer


<b>L1/L2</b> 10.7/4.2mm
<b>Hex 1.25/Unigrip</b>
MUL-NB-OTUG


### Temporary Sleeve


<b>L</b> 12mm
<b>Hex 1.25/Unigrip</b>
MUL-NB-SLVTUG


### Digital Analog


<b>L</b> 12mm
<b>REF#</b>
MUL-NB-DAN


### Titanium Base


<b>L</b> 4.8mm
<b>Hex 1.25/Unigrip</b>
MUL-NB-TBRUG

### Adhesive Cap


<b>L</b> 7.5mm
<b>Hex 1.25/Unigrip</b>
MUL-NB-ADRUG

### Fixation Screw

Max. 15NCM

<b>L</b> 4.6mm
<b>Hex 1.25/Unigrip</b>
MUL-NB-TSUG

### NikolasBase™

Max. 25NCM

<b>L</b> 5.2mm
<b>Hex 1.25/Unigrip</b>
MUL-NB-TBUG

# Multi Unit System

## Multi-Clicq™ Line M1.6

### Straight MUA Abutment - Multi-Clicq™ Line M1.6

					
<b>H</b>	1.5mm	2.5mm	3.5mm	4.5mm	5.5mm
<b>Conical Connection</b>					
<b>iOS3® SP</b>	MUL-OS-SPKS15	MUL-OS-SPKS25	MUL-OS-SPKS35	MUL-OS-SPKS45	MUL-OS-SPKS55

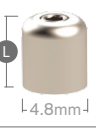
**M1.6**  
Fixation Screw  
Max. Torque 22NCM



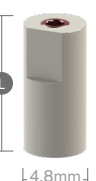
### 17° Angled - Multi-Clicq™ Line M1.6

						
<b>H/G</b>	1mm/2.5mm	2mm/3.5mm	3mm/4.5mm	1mm/3.5mm	2mm/4.5mm	3mm/5.5mm
<b>Conical Connection</b>	<b>17°</b>	<b>17°</b>	<b>17°</b>	<b>30°</b>	<b>30°</b>	<b>30°</b>
<b>iOS3® SP</b>	MUL-OS-SPKS1710	MUL-OS-SPKS1720	MUL-OS-SPKS1730	MUL-OS-SPKS3010	MUL-OS-SPKS3020	MUL-OS-SPKS3030

### Healing Cap


<b>L</b> 5.2mm
<b>Hex 1.25/Unigrip</b>
MUL-KS-HAUG

### MUA Scan Body


<b>L</b> 10mm
<b>Hex 1.25/Unigrip</b>
MUL-KS-SBUG

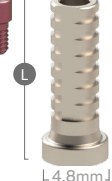
### Closed Transfer


<b>L</b> 7.2mm
<b>Hex 1.25/Unigrip</b>
MUL-KS-PUPUG

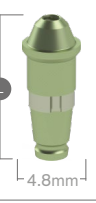
### Open Transfer


<b>L1/L2</b> 10.7/4.2mm
<b>Hex 1.25/Unigrip</b>
MUL-KS-OTUG


### Temporary Sleeve


<b>L</b> 12mm
<b>Hex 1.25/Unigrip</b>
MUL-KS-SLVTIUG

### Digital Analog


<b>L</b> 12mm
<b>REF#</b>
MUL-KS-DAN


### Titanium Base


<b>L</b> 4.8mm
<b>Hex 1.25/Unigrip</b>
MUL-KS-TBRUG

### Adhesive Cap


<b>L</b> 7.5mm
<b>Hex 1.25/Unigrip</b>
MUL-KS-ADRUG

### Fixation Screw

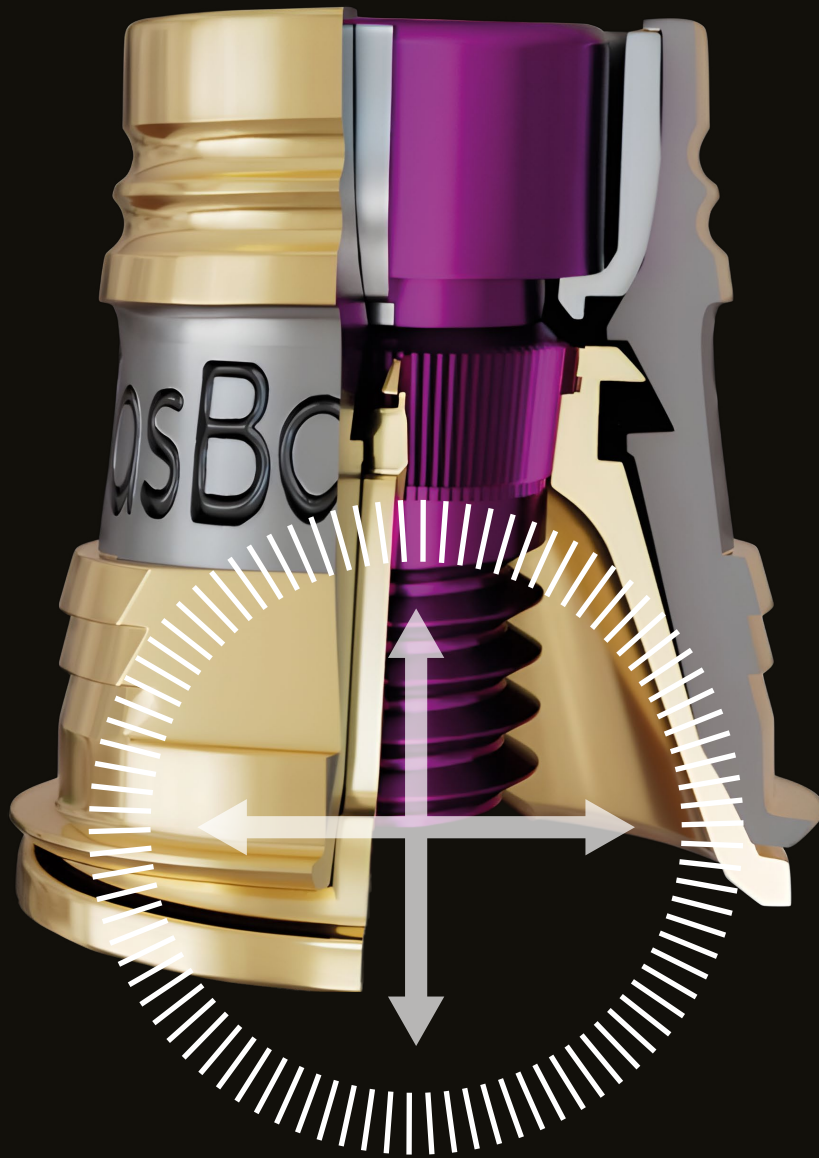
Max. 15NCM

<b>L</b> 4.6mm
<b>Hex 1.25/Unigrip</b>
MUL-KS-TSUG

### NikolasBase™

Max. 25NCM

<b>L</b> 5.2mm
<b>Hex 1.25/Unigrip</b>
MUL-KS-TBUG

# NikolasBase™



**Self-Adjustable Adhesive Cap**

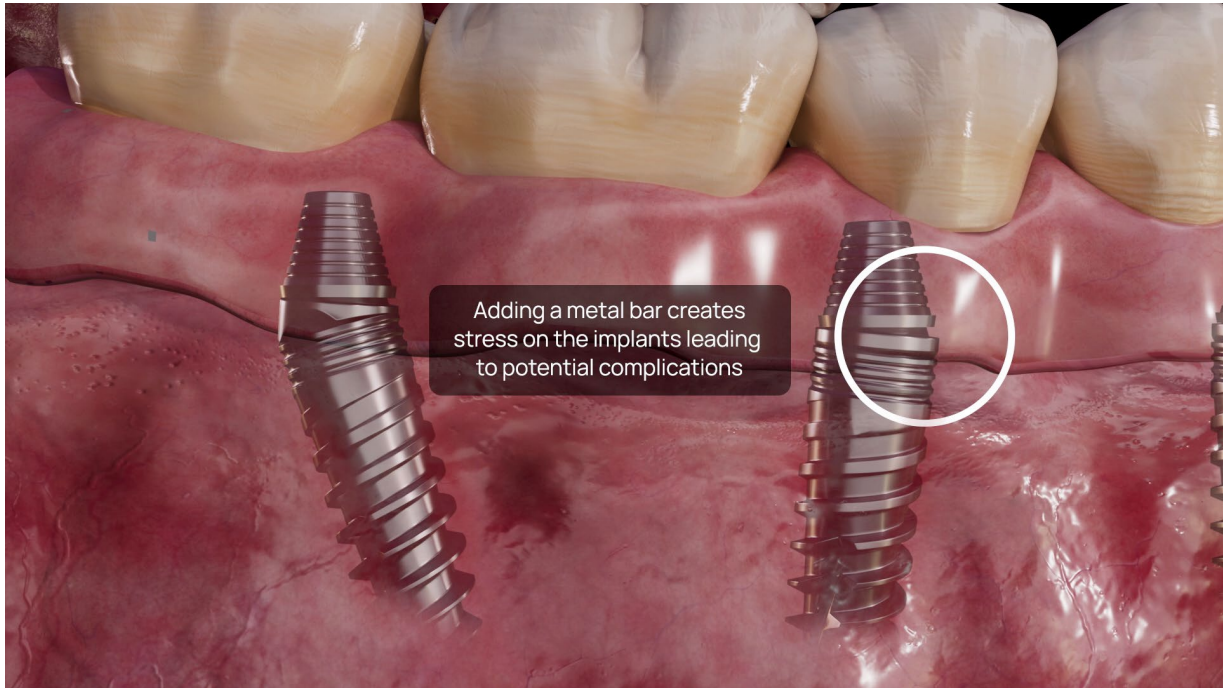
**NikolasBase™**

By Nikola Khoury

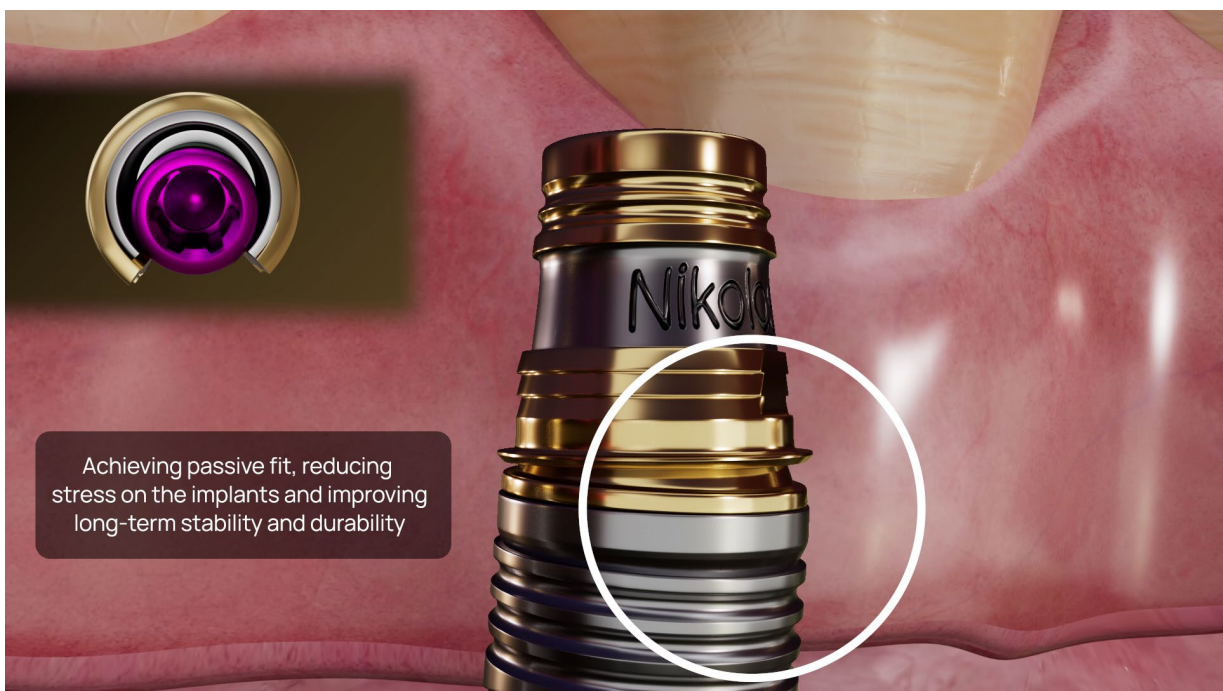
Self-Adjustable MUA Adhesive Cap



### Standard MUA Ti-Base / Adhesive Cap

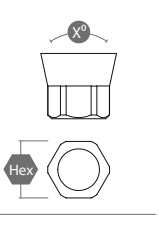
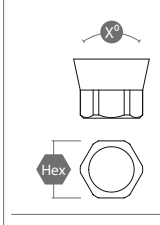
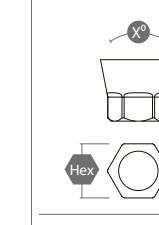
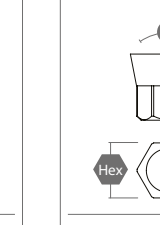
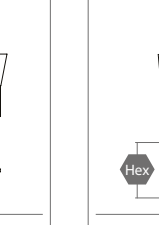
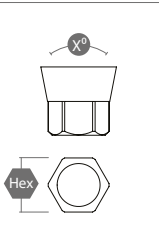
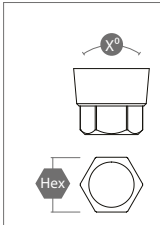
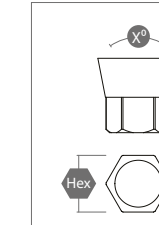
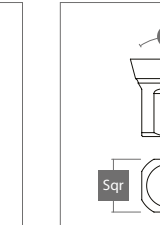
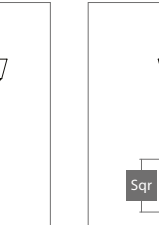


### NikolasBase™ MUA Ti-Base / Adhesive Cap

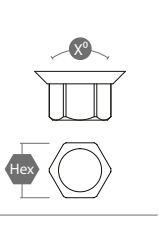
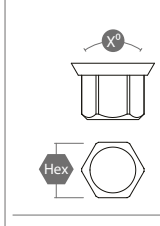
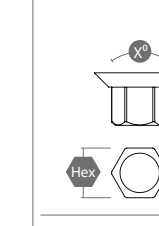
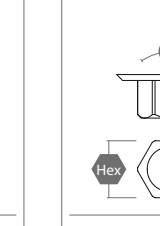


# Platform Dimensions

## Conical Connection

 <p><math>X^\circ - 24^\circ</math> Hex - 2.25mm</p> <p><b>ARTIC® NP</b> NA-NP</p>	 <p><math>X^\circ - 24^\circ</math> Hex - 2.65mm</p> <p><b>ARTIC® RP</b> NA-RP</p>	 <p><math>X^\circ - 22^\circ</math> Hex - 2.5mm</p> <p><b>FORTIS® RP</b> TS-RP</p>	 <p><math>X^\circ - 22^\circ</math> Hex - 2.1mm</p> <p><b>iOS3® SP</b> OS-SP</p>	 <p><math>X^\circ - 10^\circ</math> Hex - 2.35mm</p> <p><b>MORSY® RP</b> AR-RP</p>
 <p><math>X^\circ - 22^\circ</math> Hex - 2.1mm</p> <p><b>T-Oss® NP</b> TS-NP</p>	 <p><math>X^\circ - 16^\circ</math> Hex - 2.0mm</p> <p><b>Nyo® RP</b> GM-RP</p>	 <p><math>X^\circ - 22^\circ</math> Hex - 2.5mm</p> <p><b>Astix® WP</b> OS-WP</p>	 <p><math>X^\circ - 30^\circ</math> Sqr - 2.0mm</p> <p><b>Gnos® NC</b> CF-NC</p>	 <p><math>X^\circ - 30^\circ</math> Sqr - 2.5mm</p> <p><b>Gnos® RC</b> CF-RC</p>


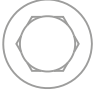




## Internal Hex

 <p><math>X^\circ - 90^\circ</math> Hex - 2.43mm</p> <p><b>LAMINA® RP</b> SV-RP</p>	 <p><math>X^\circ - 60^\circ</math> Hex - 2.0mm</p> <p><b>Lgc® NL</b> SV-NL</p>	 <p><math>X^\circ - 90^\circ</math> Hex - 2.1mm</p> <p><b>Mass® NP</b> SV-NP</p>	 <p><math>X^\circ - 90^\circ</math> Hex - 2.43mm</p> <p><b>Zimax® WP</b> SV-WP</p>
--	--	---	--


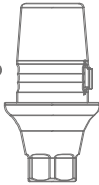


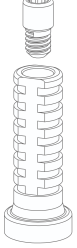
# Screw Types

## Recommended Tightening Torque

### Screw Type

Hex 1.25mm 	<b>iOS3® SP</b> <b>T-Oss® NP/Mini</b> <b>Lgc® NL</b> <b>Mass® NP</b> <b>FORTIS® RP</b> <b>Astix® WP</b> <b>LAMINA® RP</b> <b>Zimax® WP</b>
Hex 1.25mm 	<b>Hex/Unigrip (Dual)</b>
Unigrip UG 	<b>ARTIC® NP</b> <b>ARTIC® RP</b>
AR Hex 1.2mm 	<b>MORSY® RP</b>
Torx 	<b>Gnoss® NC</b> <b>Gnoss® RC</b>
GM 	<b>Nyo® RP</b>

### Tightening Torque

<b>Scan Bodies / Digital Transfers:</b> <b>A/B/C 8-10 NCM</b> 	<table border="1"> <thead> <tr> <th colspan="2">A</th> </tr> </thead> <tbody> <tr> <td><b>ARTIC®</b></td> <td><b>NP</b></td> </tr> <tr> <td><b>iOS3®</b></td> <td><b>SP</b></td> </tr> <tr> <td><b>T-Oss®</b></td> <td><b>NP</b></td> </tr> <tr> <td><b>Nyo®</b></td> <td><b>RP</b></td> </tr> <tr> <td><b>Gnoss®</b></td> <td><b>NC</b></td> </tr> <tr> <td><b>Gnoss®</b></td> <td><b>RC</b></td> </tr> <tr> <td><b>Lgc®</b></td> <td><b>NL</b></td> </tr> <tr> <td><b>Mass®</b></td> <td><b>NP</b></td> </tr> </tbody> </table>	A		<b>ARTIC®</b>	<b>NP</b>	<b>iOS3®</b>	<b>SP</b>	<b>T-Oss®</b>	<b>NP</b>	<b>Nyo®</b>	<b>RP</b>	<b>Gnoss®</b>	<b>NC</b>	<b>Gnoss®</b>	<b>RC</b>	<b>Lgc®</b>	<b>NL</b>	<b>Mass®</b>	<b>NP</b>
A																			
<b>ARTIC®</b>		<b>NP</b>																	
<b>iOS3®</b>		<b>SP</b>																	
<b>T-Oss®</b>	<b>NP</b>																		
<b>Nyo®</b>	<b>RP</b>																		
<b>Gnoss®</b>	<b>NC</b>																		
<b>Gnoss®</b>	<b>RC</b>																		
<b>Lgc®</b>	<b>NL</b>																		
<b>Mass®</b>	<b>NP</b>																		
<b>Straight Unibase™ Abutments:</b> <b>A 22 NCM</b> <b>B/C 30 NCM</b> 																			
<b>Angled Unibase™ Abutments:</b> <b>A/B/C 22 NCM</b> 																			
<b>Multi-Clcq™ - Multi-Unit Abutments:</b> <b>A 22 NCM Straight/Angled</b> <b>B/C 30 NCM Straight/Angled</b> 																			
<b>Multi Unit Components:</b> <b>Multi-Clcq M1.6 22 NCM</b> <b>Classic Multi Unit M1.4 15 NCM</b> 	<table border="1"> <thead> <tr> <th colspan="2">B</th> </tr> </thead> <tbody> <tr> <td><b>ARTIC®</b></td> <td><b>RP</b></td> </tr> <tr> <td><b>FORTIS®</b></td> <td><b>RP</b></td> </tr> <tr> <td><b>MORSY®</b></td> <td><b>RP</b></td> </tr> <tr> <td><b>Astix®</b></td> <td><b>WP</b></td> </tr> </tbody> </table> <table border="1"> <thead> <tr> <th colspan="2">C</th> </tr> </thead> <tbody> <tr> <td><b>LAMINA®</b></td> <td><b>RP</b></td> </tr> <tr> <td><b>Zimax®</b></td> <td><b>WP</b></td> </tr> </tbody> </table>	B		<b>ARTIC®</b>	<b>RP</b>	<b>FORTIS®</b>	<b>RP</b>	<b>MORSY®</b>	<b>RP</b>	<b>Astix®</b>	<b>WP</b>	C		<b>LAMINA®</b>	<b>RP</b>	<b>Zimax®</b>	<b>WP</b>		
B																			
<b>ARTIC®</b>	<b>RP</b>																		
<b>FORTIS®</b>	<b>RP</b>																		
<b>MORSY®</b>	<b>RP</b>																		
<b>Astix®</b>	<b>WP</b>																		
C																			
<b>LAMINA®</b>	<b>RP</b>																		
<b>Zimax®</b>	<b>WP</b>																		

a solution you  
can **count** on.



 **Ritter Implants GmbH & Co. KG**

Freiburger Str. 45, 88400 Biberach, Germany  
Tel: +49.7351.5292510

---

**Headquarters:** Edison Medical  
4310 West Avenue, San Antonio, TX 78213, USA  
Tel: +1.210.9793389 | [edisonmed.com](http://edisonmed.com) | [zinon.dental](http://zinon.dental)