



UniBase™ System

By Nikola Khoury

Multi-Clicq™ System

ZIMAX® WP

Internal Hex



Digital Dentistry

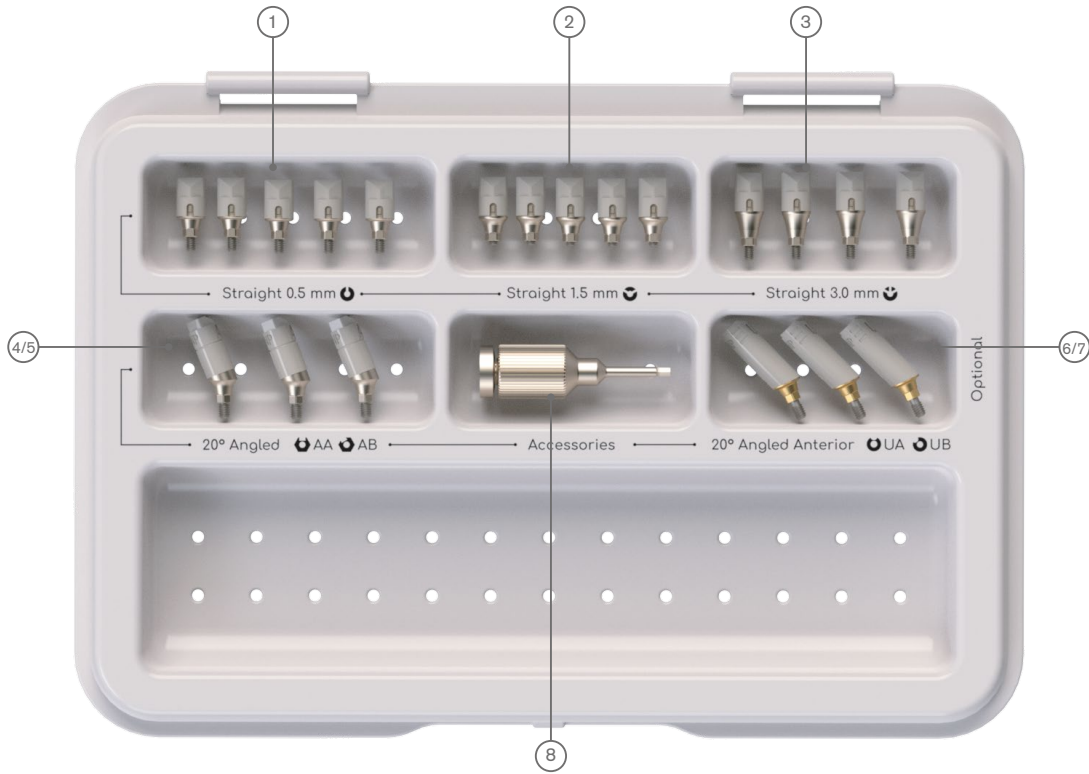


UniBase™ System

By Nikola Khoury

Abutment Level Coded Scan Posts

Patent Pending



Scan Post - Professional & Starter Kit

Internal Hex	Basic Kit	Starter Kit	Professional Kit
Zimax® WP	SP-SV-WPBK	SP-SV-WPSK	SP-SV-WPPK

Scan Post - Basic Kit

- 1 - Straight Scan Post H 0.5mm - 5 pcs
- 2 - Straight Scan Post H 1.5mm - 5 pcs
- 3 - Straight Scan Post H 3.0mm - 4 pcs
- 4 - Hand Driver



Scan Post - Professional Kit

- 1 - Straight Scan Post H 0.5mm - 5 pcs
- 2 - Straight Scan Post H 1.5mm - 5 pcs
- 3 - Straight Scan Post H 3.0mm - 4 pcs
- 4 - 20° Angled Scan Post - Standard AA Type - 2 pcs
- 5 - 20° Angled Scan Post - Standard AB Type - 1 pcs
- 6 - 20° Angled Scan Post - Anterior UA Type - 2 pcs
- 7 - 20° Angled Scan Post - Anterior UB Type - 1 pcs
- 8 - Hand Driver

Scan Post - Starter Kit

- 1 - Straight Scan Post H 0.5mm - 3 pcs
- 2 - Straight Scan Post H 1.5mm - 3 pcs
- 3 - Straight Scan Post H 3.0mm - 2 pcs
- 4 - 20° Angled Scan Post - Standard AA Type - 1 pcs
- 5 - 20° Angled Scan Post - Standard AB Type - 1 pcs
- 6 - 20° Angled Scan Post - Anterior UA Type - 1 pcs
- 7 - 20° Angled Scan Post - Anterior UB Type - 1 pcs
- 8 - Hand Driver

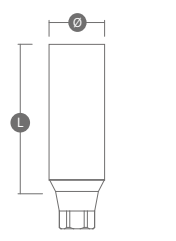

UniBase™ System

By Nikola Khoury

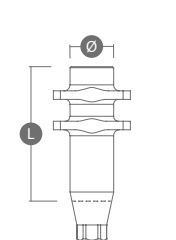

Digital and Manual Impression

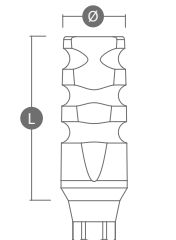

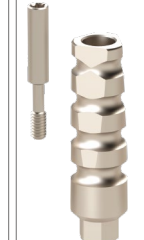


Digital Scan Body Classic Implant Level Scan

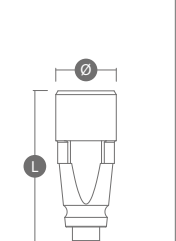

	
L	9.3mm
Ø	5.2mm
Inernal Hex	
Zimax® WP	SB-SV-WP

Open Tray Transfer

	
L	12.5mm
Ø	4.5mm
Inernal Hex	
Zimax® WP	OT-SV-WPN

		
L	9mm	12mm
Ø	3.8mm	4.5mm
Inernal Hex		
Zimax® WP	CT-SV-WPSN	CT-SV-WPLN

Digital Implant Analog

	
L	10mm
Ø	4.5mm
Inernal Hex	
Zimax® WP	DIA-SV-WP

UniBase™ System

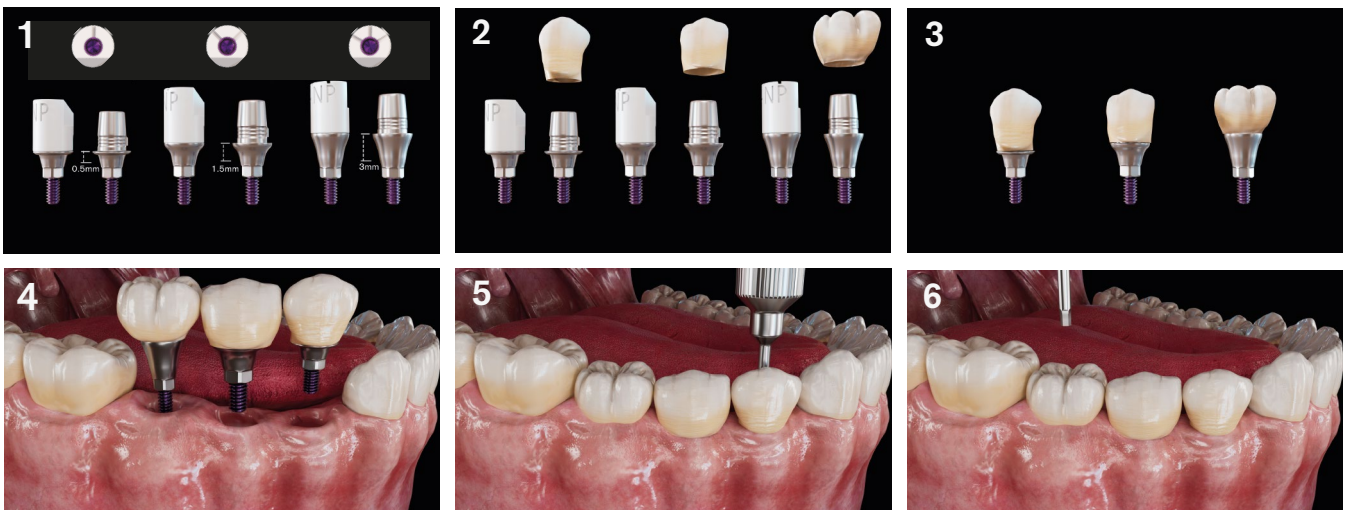
By Nikola Khoury

Straight Titanium Bases



UniBase™ - Straight Ti-Base

H Gingival Height	0.5mm	1.5mm	3.0mm	0.5mm	1.5mm	3.0mm
Ø	5.2mm	5.2mm	5.2mm	5.2mm	5.2mm	5.2mm
Internal Hex	Anti-Rotational / Engaged			Rotational / Non-Engaged		
Zimax® WP	TBC-SV-WP	TBC-SV-WP15	TBC-SV-WP30	TBC-SV-WPR	TBC-SV-WP15R	TBC-SV-WP30R

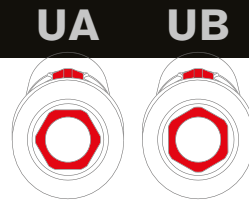


UniBase™ System

By Nikola Khoury

20° Angled Ti-Bases

Patent Pending

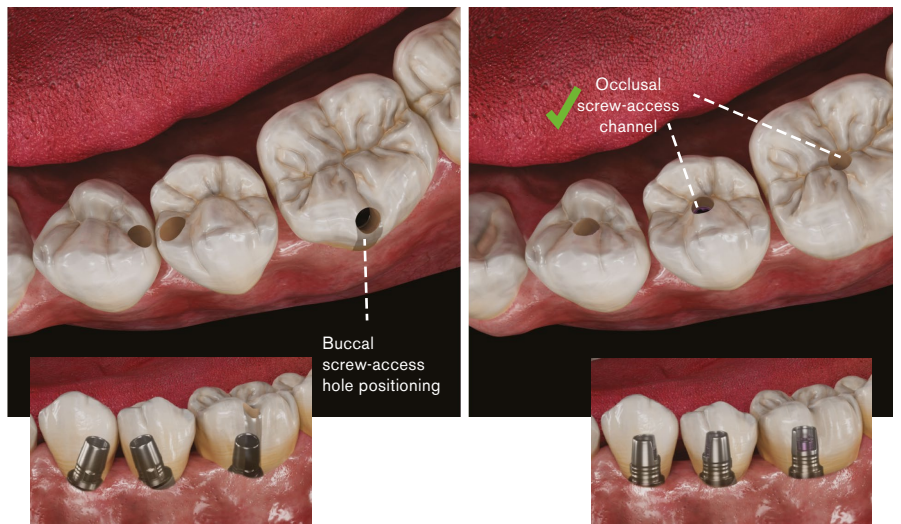


20° Angled Ti-Base - Anterior (U Type)

	UA	UB
H / G	0.7mm/0.7mm	0.7mm/0.7mm
Ø	4.5mm	4.5mm
Internal Hex		
Zimax® WP	TBC-SV-WP2007UA	TBC-SV-WP2007UB

20° Angled Ti-Base - Standard (A Type)

	AA	AB
H / G	1.5mm/3.0mm	1.5mm/3.0mm
Ø	5.2mm	5.2mm
Internal Hex		
Zimax® WP	TBC-SV-WP2015A	TBC-SV-WP2015B



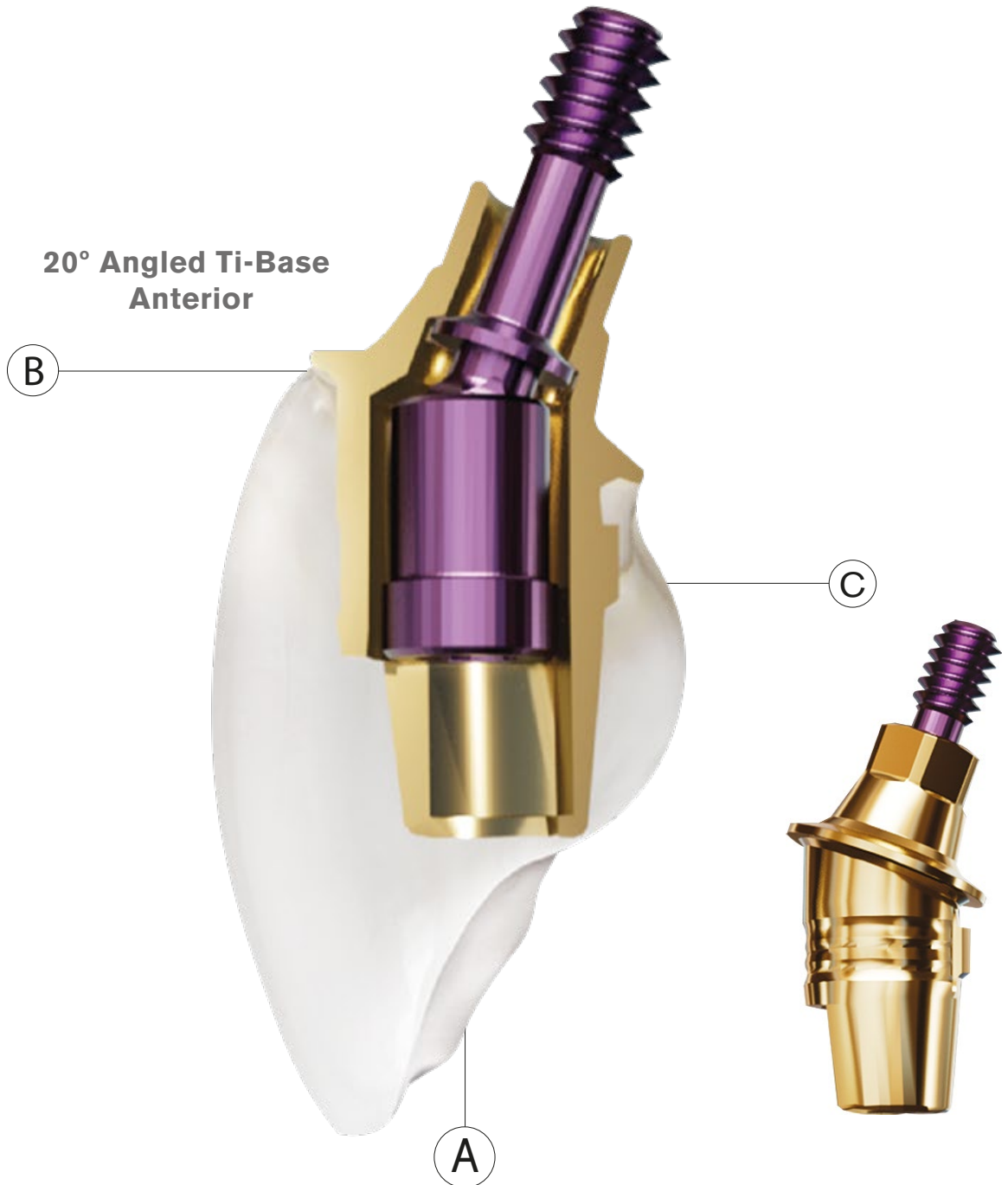
UniBase™ System

By Nikola Khoury

20° Angled Ti-Bases - Characteristics



⚠ Max. Tightening Torque 22-25 NCM



20° Angled Ti-Base Anterior

B

C

A

A-Simplicity!

A unique architectural design allows for the use of a standard screwdriver when mounting the UniBase, no special tools necessary.

B-Engineering!

The flat surface of the shoulder makes for an angulated base that interacts with the implant system in the same manner as a non-angulated base, allowing laboratories to use standard CAD/CAM procedures during the milling process.

C-Innovation!

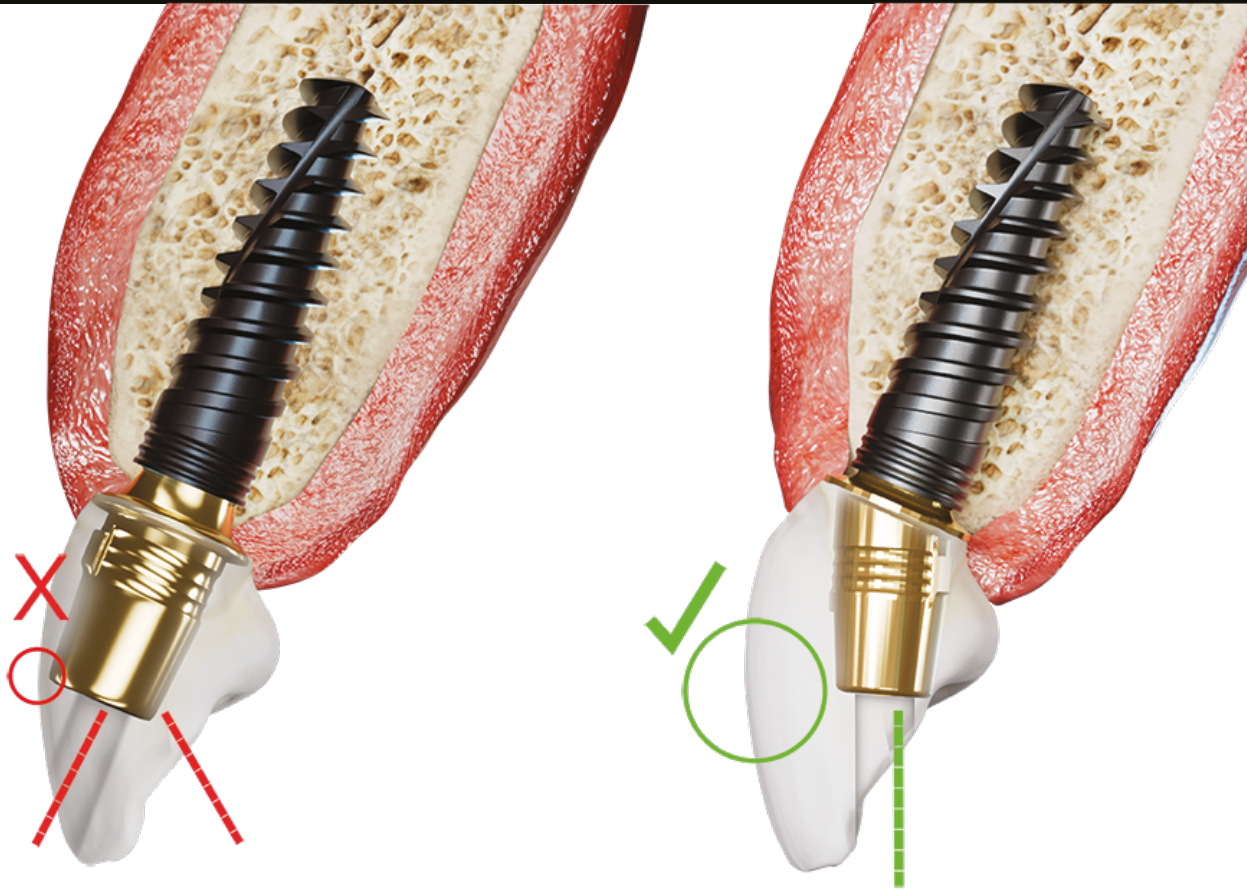
Our UniBase features an exclusive mechanism with a built-in "joint-shaft" that is secured into place during the fabrication process.

UniBase™ System

By Nikola Khoury

20° Angled Ti-Bases

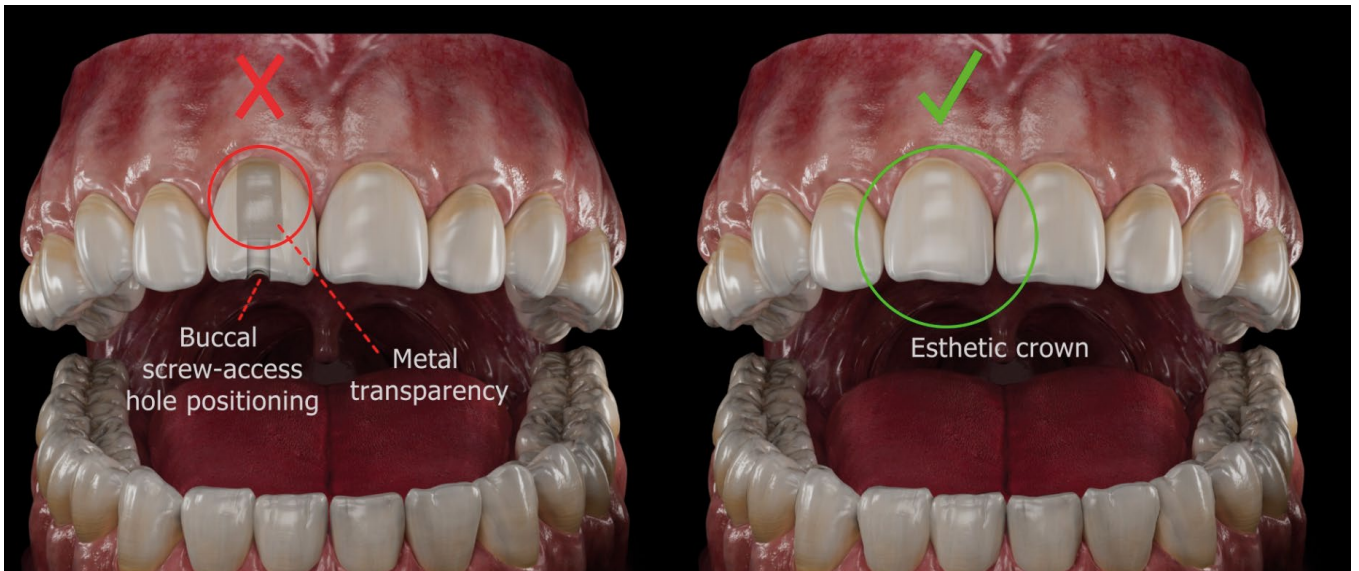
Patent Pending



Unfavorable buccal screw-access channel

Lingual angled screw-access channel

Ideal lingual screw-access channel



Buccal screw-access hole positioning
Metal transparency

Esthetic crown

Lab Analogs

Digital Implant Analogs



Digital Implant Analog

L	10mm
Ø	4.5mm
Internal Hex	
Zimax® WP	DIA-SV-WP

Connection Chart / Codes

Conical Connection	Connection code
ARTIC® NP	NA-NP
ARTIC® RP	NA-RP
FORTIS® RP	TS-RP
iOS3® SP	OS-SP
MORSY® RP	AR-RP
T-Oss® NP/Mini	TS-NP
Astix® WP	OS-WP
Nyo® RP	GM-RP
Gross® NC	CF-NC
Gross® RC	CF-RC

Internal Hex	Connection code
LAMINA® RP	SV-RP
Lgc® NL	SV-NL
Mass® NP	SV-NP
Zimax® WP	SV-WP



* Digital Analogs

NP / NC / NL / SP Platform Ø 3.5mm
 RP Platform Ø 4.0mm
 WP Platform Ø 4.5mm

* Straight TiBases

NP / NC / NL / SP Platform Ø 4.2mm / 4.5mm
 RP Platform Ø 4.2mm / 4.5mm
 WP Platform Ø 4.8mm / 5.2mm

* Angled TiBases

NP / NC / NL / SP Platform Ø 4.5mm
 RP Platform Ø 4.5mm
 WP Platform Ø 4.8mm / 5.2mm

Enjoy our
Multi Unit
System



Multi Unit System

Classic Line M1.4



Straight MUA Abutment

						
H	1mm	2mm	3mm	4mm	5mm	6mm
Internal Hex						
Zimax® WP	MUL-SV-WPNB10	MUL-SV-WPNB20	MUL-SV-WPNB30	MUL-SV-WPNB40	MUL-SV-WPNB50	MUL-SV-WPNB60


M1.4
Fixation Screw
Max. Torque 15NCM



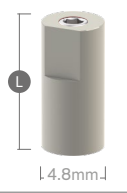
17° Angled - Classic Line M1.4

						
H/G	1mm/2.5mm	2mm/3.5mm	3mm/4.5mm	1mm/3.5mm	2mm/4.5mm	3mm/5.5mm
Internal Hex	17°	17°	17°	30°	30°	30°
Zimax® WPZ	MUL-SV-WPNB1710	MUL-SV-WPNB1720	MUL-SV-WPNB1730	MUL-SV-WPNB3010	MUL-SV-WPNB3020	MUL-SV-WPNB3030

Healing Cap


L 5.2mm
Hex 1.25/Unigrip
MUL-NB-HAUG

MUA Scan Body


L 10mm
Hex 1.25/Unigrip
MUL-NB-SBUG


Closed Transfer


L 7.2mm
Hex 1.25/Unigrip
MUL-NB-PUPUG


Open Transfer


L1/L2 10.7/4.2mm
Hex 1.25/Unigrip
MUL-NB-OTUG


Temporary Sleeve


L 12mm
Hex 1.25/Unigrip
MUL-NB-SLVTUG


Digital Analog


L 12mm
REF#
MUL-NB-DAN


Titanium Base


L 4.8mm
Hex 1.25/Unigrip
MUL-NB-TBRUG

Adhesive Cap


L 7.5mm
Hex 1.25/Unigrip
MUL-NB-ADRUG

Fixation Screw

Max. 15NCM

L 4.6mm
Hex 1.25/Unigrip
MUL-NB-TSUG

NikolasBase™

Max. 25NCM

L 5.2mm
Hex 1.25/Unigrip
MUL-NB-TBUG

Multi Unit System

Multi-Clicq™ Line M1.6

Straight MUA Abutment - Multi-Clicq™ Line M1.6

H	1mm	2mm	3mm	4mm	5mm	6mm
Internal Hex						
Zimax® WP	MUL-SV-WPKS10	MUL-SV-WPKS20	MUL-SV-WPKS30	MUL-SV-WPKS40	MUL-SV-WPKS50	MUL-SV-WPKS60

17° Angled - Multi-Clicq™ Line M1.6

H/G	1mm/2.5mm	2mm/3.5mm
Internal Hex	17°	17°
Zimax® WP	MUL-SV-WPKS1710	MUL-SV-WPKS1720

30° Angled

1mm/3.5mm	2mm/4.5mm
Internal Hex	30°
Zimax® WP	MUL-SV-WPKS3010

M1.6
Fixation Screw
Max. Torque 22NCM



Healing Cap

L 5.2mm
Hex 1.25/Unigrip
MUL-KS-HAUG

MUA Scan Body

L 10mm
Hex 1.25/Unigrip
MUL-KS-SBUG

Closed Transfer

L 7.2mm
Hex 1.25/Unigrip
MUL-KS-PUPUG

Open Transfer

L1/L2 10.7/4.2mm
Hex 1.25/Unigrip
MUL-KS-OTUG

Temporary Sleeve

L 12mm
Hex 1.25/Unigrip
MUL-KS-SLVTIUG

Digital Analog

L 12mm
REF#
MUL-KS-DAN

Titanium Base

L 4.8mm
Hex 1.25/Unigrip
MUL-KS-TBRUG

Adhesive Cap

L 7.5mm
Hex 1.25/Unigrip
MUL-KS-ADRUG

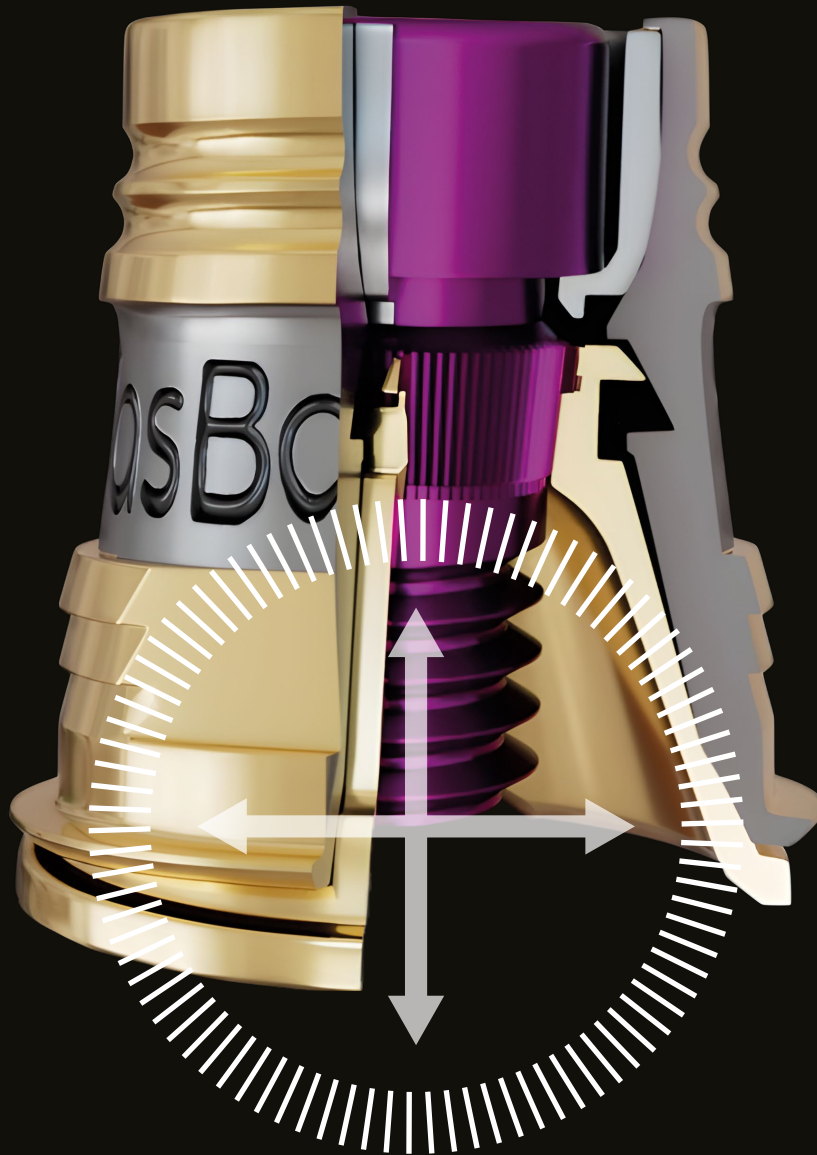
Fixation Screw

Max. 15NCM
L 4.6mm
Hex 1.25/Unigrip
MUL-KS-TSUG

NikolasBase™

Max. 25NCM
L 5.2mm
Hex 1.25/Unigrip
MUL-KS-TBUG

NikolasBase™



Self-Adjustable Adhesive Cap

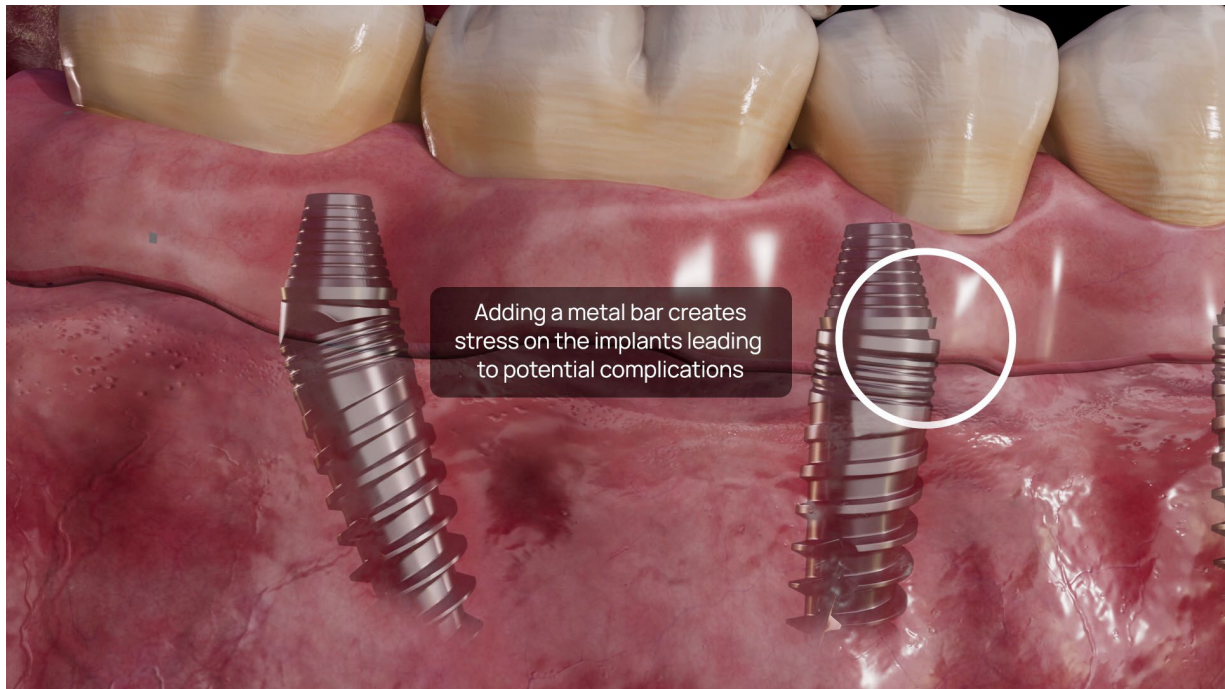
NikolasBase™

By Nikola Khoury

Self-Adjustable MUA Adhesive Cap



Standard MUA Ti-Base / Adhesive Cap

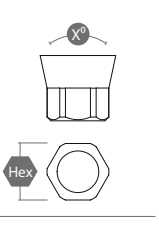
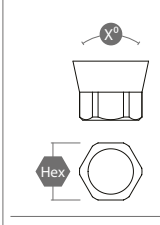
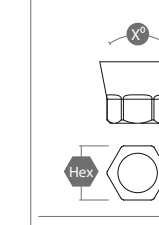
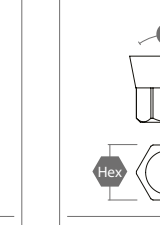
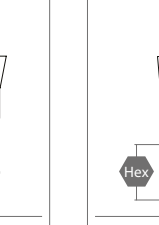
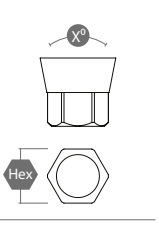
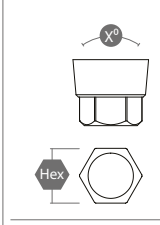
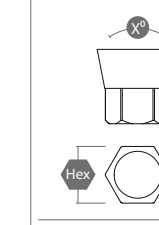
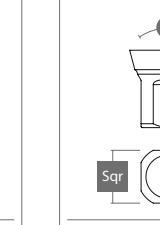



NikolasBase™ MUA Ti-Base / Adhesive Cap

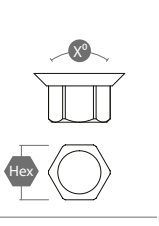
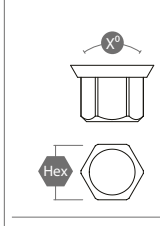
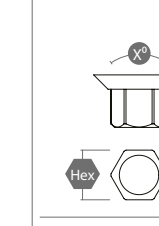
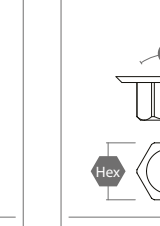


Platform Dimensions

Conical Connection

 <p>$X^\circ - 24^\circ$ Hex - 2.25mm</p>	 <p>$X^\circ - 24^\circ$ Hex - 2.65mm</p>	 <p>$X^\circ - 22^\circ$ Hex - 2.5mm</p>	 <p>$X^\circ - 22^\circ$ Hex - 2.1mm</p>	 <p>$X^\circ - 10^\circ$ Hex - 2.35mm</p>
ARTIC® NP	ARTIC® RP	FORTIS® RP	iOS3® SP	MORSY® RP
NA-NP	NA-RP	TS-RP	OS-SP	AR-RP
 <p>$X^\circ - 22^\circ$ Hex - 2.1mm</p>	 <p>$X^\circ - 16^\circ$ Hex - 2.0mm</p>	 <p>$X^\circ - 22^\circ$ Hex - 2.5mm</p>	 <p>$X^\circ - 30^\circ$ Sqr - 2.0mm</p>	 <p>$X^\circ - 30^\circ$ Sqr - 2.5mm</p>
T-Oss® NP	Nyo® RP	Astix® WP	Gnoss® NC	Gnoss® RC
TS-NP	GM-RP	OS-WP	CF-NC	CF-RC







Internal Hex

 <p>$X^\circ - 90^\circ$ Hex - 2.43mm</p>	 <p>$X^\circ - 60^\circ$ Hex - 2.0mm</p>	 <p>$X^\circ - 90^\circ$ Hex - 2.1mm</p>	 <p>$X^\circ - 90^\circ$ Hex - 2.43mm</p>
LAMINA® RP	Lgc® NL	Mass® NP	Zimax® WP
SV-RP	SV-NL	SV-NP	SV-WP





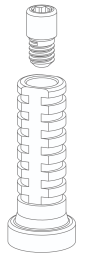
Screw Types

Recommended Tightening Torque

Screw Type

Hex 1.25mm 	iOS3® SP T-Oss® NP/Mini Lgc® NL Mass® NP FORTIS® RP Astix® WP LAMINA® RP Zimax® WP
Hex 1.25mm 	Hex/Unigrip (Dual)
Unigrip UG 	ARTIC® NP ARTIC® RP
AR Hex 1.2mm 	MORSY® RP
Torx 	Gnoss® NC Gnoss® RC
GM 	Nyo® RP

Tightening Torque

Scan Bodies / Digital Transfers: A/B/C 8-10 NCM		<table border="1"> <thead> <tr> <th colspan="2">A</th> </tr> </thead> <tbody> <tr> <td>ARTIC®</td> <td>NP</td> </tr> <tr> <td>iOS3®</td> <td>SP</td> </tr> <tr> <td>T-Oss®</td> <td>NP</td> </tr> <tr> <td>Nyo®</td> <td>RP</td> </tr> <tr> <td>Gnoss®</td> <td>NC</td> </tr> <tr> <td>Gnoss®</td> <td>RC</td> </tr> <tr> <td>Lgc®</td> <td>NL</td> </tr> <tr> <td>Mass®</td> <td>NP</td> </tr> </tbody> </table>	A		ARTIC®	NP	iOS3®	SP	T-Oss®	NP	Nyo®	RP	Gnoss®	NC	Gnoss®	RC	Lgc®	NL	Mass®	NP
A																				
ARTIC®	NP																			
iOS3®	SP																			
T-Oss®	NP																			
Nyo®	RP																			
Gnoss®	NC																			
Gnoss®	RC																			
Lgc®	NL																			
Mass®	NP																			
Straight Unibase™ Abutments: A 22 NCM B/C 30 NCM																				
Angled Unibase™ Abutments: A/B/C 22 NCM		<table border="1"> <thead> <tr> <th colspan="2">B</th> </tr> </thead> <tbody> <tr> <td>ARTIC®</td> <td>RP</td> </tr> <tr> <td>FORTIS®</td> <td>RP</td> </tr> <tr> <td>MORSY®</td> <td>RP</td> </tr> <tr> <td>Astix®</td> <td>WP</td> </tr> </tbody> </table>	B		ARTIC®	RP	FORTIS®	RP	MORSY®	RP	Astix®	WP								
B																				
ARTIC®	RP																			
FORTIS®	RP																			
MORSY®	RP																			
Astix®	WP																			
Multi-Clicq™ - Multi-Unit Abutments: A 22 NCM Straight/Angled B/C 30 NCM Straight/Angled		<table border="1"> <thead> <tr> <th colspan="2">C</th> </tr> </thead> <tbody> <tr> <td>LAMINA®</td> <td>RP</td> </tr> <tr> <td>Zimax®</td> <td>WP</td> </tr> </tbody> </table>	C		LAMINA®	RP	Zimax®	WP												
C																				
LAMINA®	RP																			
Zimax®	WP																			
Multi Unit Components: Multi-Clicq M1.6 22 NCM Classic Multi Unit M1.4 15 NCM																				

a solution you
can **count** on.



 **Ritter Implants GmbH & Co. KG**

Freiburger Str. 45, 88400 Biberach, Germany
Tel: +49.7351.5292510

Headquarters: Edison Medical
4310 West Avenue, San Antonio, TX 78213, USA
Tel: +1.210.9793389 | edisonmed.com | zinon.dental