



UniBase™ System

By Nikola Khoury

Multi-Clicq™ System

MASS® NP
Internal Hex



Digital Dentistry

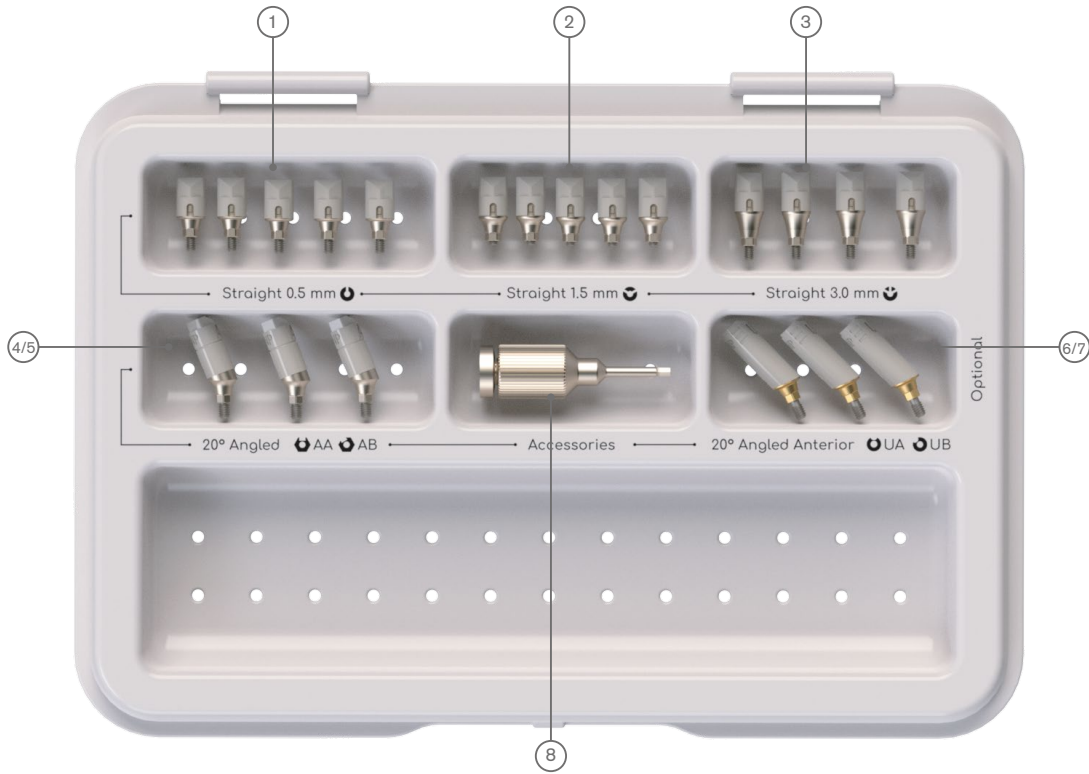


UniBase™ System

By Nikola Khoury

Abutment Level Coded Scan Posts

Patent Pending



Scan Post - Professional & Starter Kit

Internal Hex	Basic Kit	Starter Kit	Professional Kit
Mass® NP	SP-SV-NPBK*	SP-SV-NPSK*	SP-SV-NPPK

Scan Post - Basic Kit

- 1 - Straight Scan Post H 0.5mm - 5 pcs
- 2 - Straight Scan Post H 1.5mm - 5 pcs
- 3 - Straight Scan Post H 3.0mm - 4 pcs
- 4 - Hand Driver



Scan Post - Professional Kit

- 1 - Straight Scan Post H 0.5mm - 5 pcs
- 2 - Straight Scan Post H 1.5mm - 5 pcs
- 3 - Straight Scan Post H 3.0mm - 4 pcs
- 4 - 20° Angled Scan Post - Standard AA Type - 2 pcs
- 5 - 20° Angled Scan Post - Standard AB Type - 1 pcs
- 6 - 20° Angled Scan Post - Anterior UA Type - 2 pcs
- 7 - 20° Angled Scan Post - Anterior UB Type - 1 pcs
- 8 - Hand Driver

Scan Post - Starter Kit

- 1 - Straight Scan Post H 0.5mm - 3 pcs
- 2 - Straight Scan Post H 1.5mm - 3 pcs
- 3 - Straight Scan Post H 3.0mm - 2 pcs
- 4 - 20° Angled Scan Post - Standard AA Type - 1 pcs
- 5 - 20° Angled Scan Post - Standard AB Type - 1 pcs
- 6 - 20° Angled Scan Post - Anterior UA Type - 1 pcs
- 7 - 20° Angled Scan Post - Anterior UB Type - 1 pcs
- 8 - Hand Driver

UniBase™ System

By Nikola Khoury

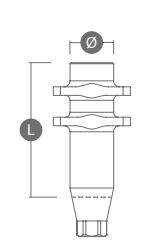

Digital and Manual Impression

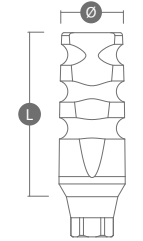



Digital Scan Body Classic Implant Level Scan

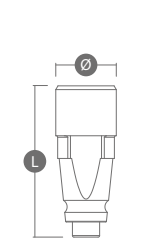

	
L	10.7mm
Ø	3.8mm
Internal Hex	
Mass® NP	SB-SV-NP

Open Tray Transfer

	
L	12mm
Ø	3.8mm
Internal Hex	
Mass® NP	OT-SV-NPN

	
L	9mm
Ø	3.8mm
Internal Hex	
Mass® NP	CT-SV-NPN

Digital Implant Analog

	
L	10mm
Ø	3.5mm
Internal Hex	
Mass® NP	DIA-SV-NP

UniBase™ System

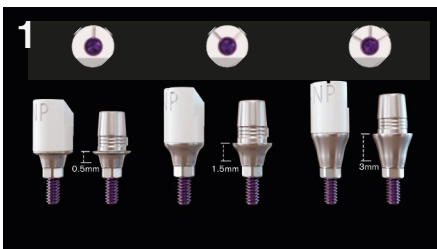
By Nikola Khoury

Straight Titanium Bases



UniBase™ - Straight Ti-Base

H Gingival Height	0.5mm	1.5mm	3.0mm	0.5mm	1.5mm	3.0mm
Ø	4.3mm	4.3mm	4.3mm	4.3mm	4.3mm	4.3mm
Internal Hex	Anti-Rotational / Engaged			Rotational / Non-Engaged		
Mass® NP	TBC-SV-NP	TBC-SV-NP15	TBC-SV-NP30	TBC-SV-NPR	TBC-SV-NP15R	TBC-SV-NP30R

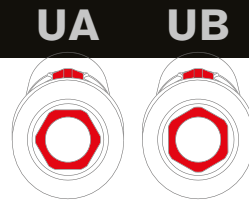


UniBase™ System

By Nikola Khoury

20° Angled Ti-Bases

Patent Pending



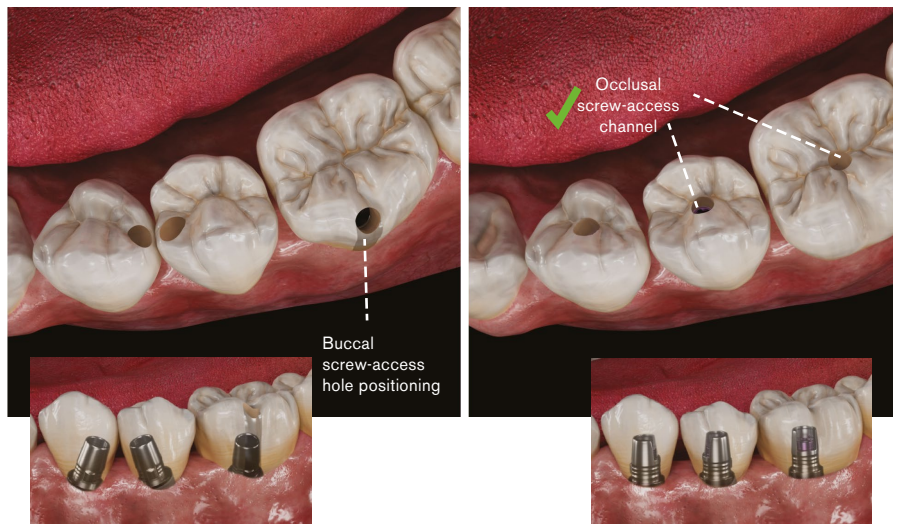
20° Angled Ti-Base - Anterior (U Type)

	UA	UB
H / G	0.7mm/0.7mm	0.7mm/0.7mm
Ø	4.5mm	4.5mm
Internal Hex		
Mass® NP	TBC-SV-NP2007UA	TBC-SV-NP2007UB

20° Angled Ti-Base - Standard (A Type)

	AA	AB
H / G	1.5mm/3.0mm	1.5mm/3.0mm
Ø	4.5mm*	4.5mm*
Internal Hex		
Mass® NP	TBC-SV-NP2015A	TBC-SV-NP2015B

* Zimax® WP Ø 5.2mm



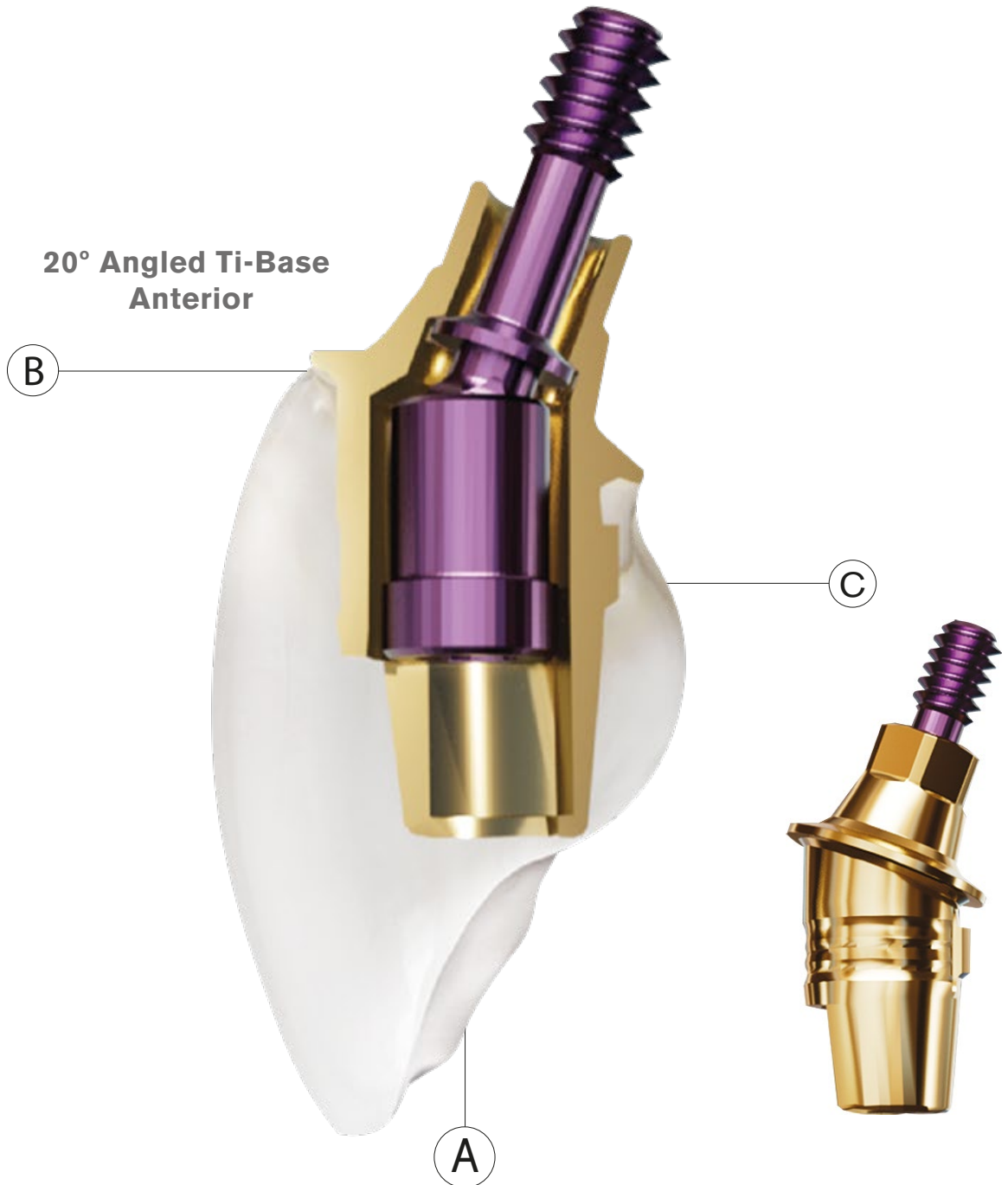
UniBase™ System

By Nikola Khoury

20° Angled Ti-Bases - Characteristics



⚠ Max. Tightening Torque 22-25 NCM



A-Simplicity!

A unique architectural design allows for the use of a standard screwdriver when mounting the UniBase, no special tools necessary.

B-Engineering!

The flat surface of the shoulder makes for an angulated base that interacts with the implant system in the same manner as a non-angulated base, allowing laboratories to use standard CAD/CAM procedures during the milling process.

C-Innovation!

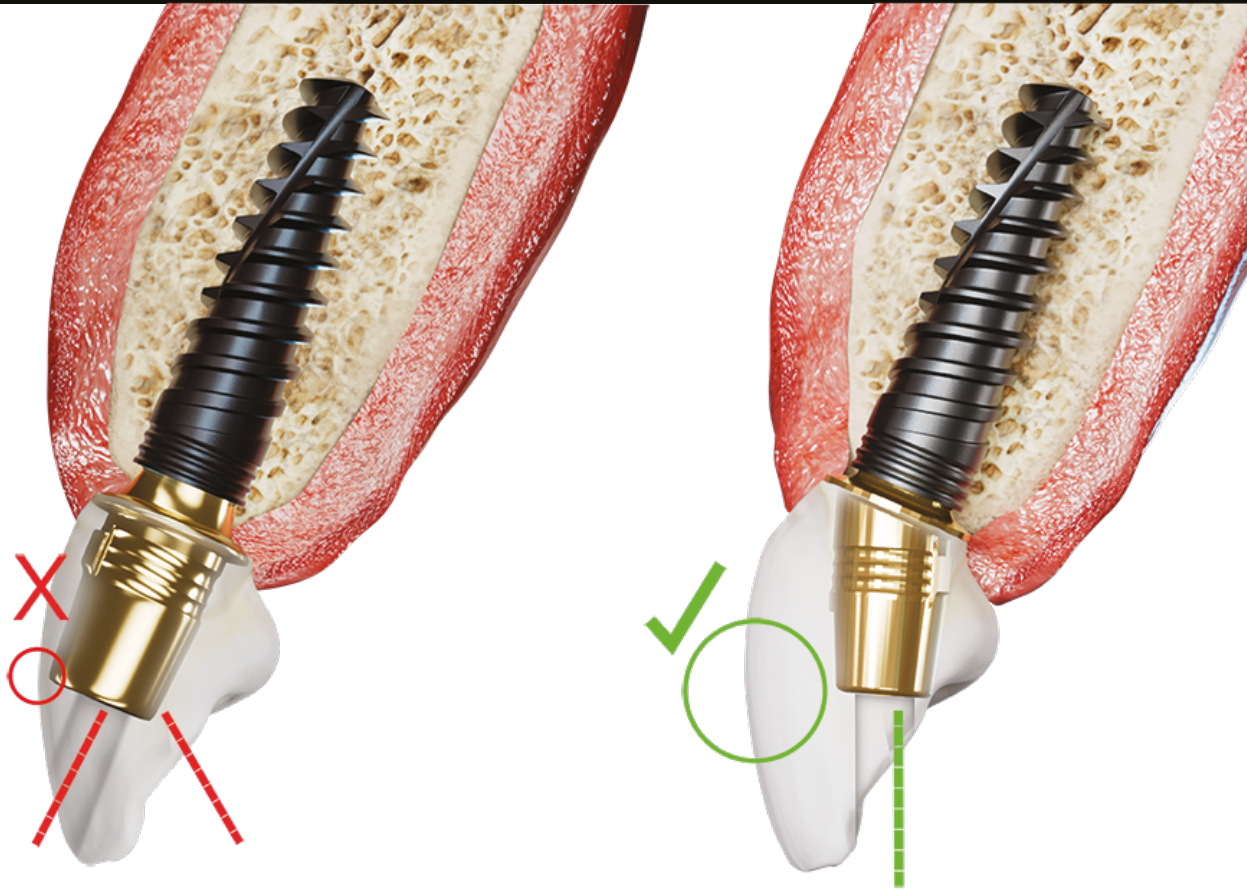
Our UniBase features an exclusive mechanism with a built-in "joint-shaft" that is secured into place during the fabrication process.

UniBase™ System

By Nikola Khoury

20° Angled Ti-Bases

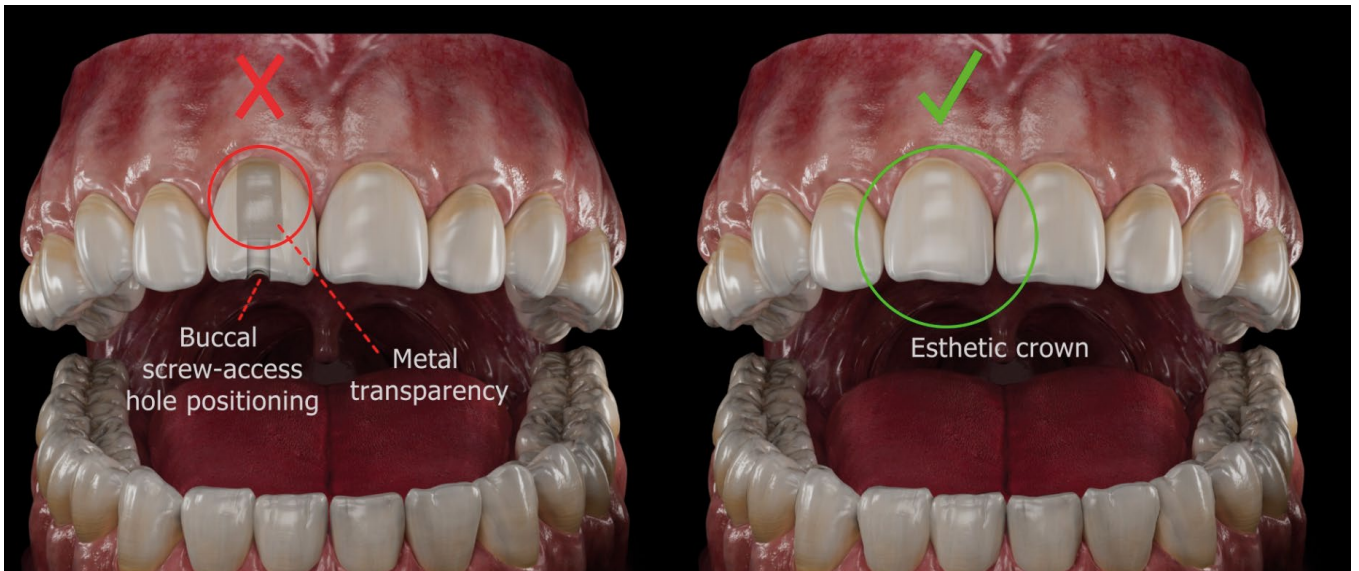
Patent Pending



Unfavorable buccal screw-access channel

Lingual angled screw-access channel

Ideal lingual screw-access channel

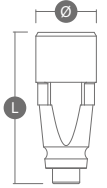



Lab Analogs

Digital Implant Analogs



Digital Implant Analog

	
L	10mm
Ø	3.5mm
Internal Hex	
Mass® NP	DIA-SV-NP

Connection Chart / Codes

Conical Connection	Connection code
ARTIC® NP	NA-NP
ARTIC® RP	NA-RP
FORTIS® RP	TS-RP
iOS3® SP	OS-SP
MORSY® RP	AR-RP
T-Oss® NP/Mini	TS-NP
Astix® WP	OS-WP
Nyo® RP	GM-RP
Gross® NC	CF-NC
Gross® RC	CF-RC

Internal Hex	Connection code
LAMINA® RP	SV-RP
Lgc® NL	SV-NL
Mass® NP	SV-NP
Zimax® WP	SV-WP



* Digital Analogs

NP / NC / NL / SP Platform Ø 3.5mm
 RP Platform Ø 4.0mm
 WP Platform Ø 4.5mm

* Straight TiBases

NP / NC / NL / SP Platform Ø 4.2mm / 4.5mm
 RP Platform Ø 4.2mm / 4.5mm
 WP Platform Ø 4.8mm / 5.2mm

* Angled TiBases

NP / NC / NL / SP Platform Ø 4.5mm
 RP Platform Ø 4.5mm
 WP Platform Ø 4.8mm / 5.2mm

Enjoy our
Multi Unit
System



Multi Unit System

Classic Line M1.4



Straight MUA Abutment

H	1mm	2mm	3mm	4mm	5mm	6mm
Internal Hex						
Mass® NP	MUL-SV-NPNB10	MUL-SV-NPNB20	MUL-SV-NPNB30	MUL-SV-NPNB40	MUL-SV-NPNB50	MUL-SV-NPNB60

17° Angled - Classic Line M1.4

H/G	1mm/2.5mm	2mm/3.5mm
Internal Hex	17°	17°
Mass® NP	MUL-SV-NPNB1710	MUL-SV-NPNB1720

30° Angled

1mm/3.5mm	2mm/4.5mm
30°	30°
MUL-SV-NPNB3010	MUL-SV-NPNB3020

M1.4
Fixation Screw
Max. Torque 15NCM



Z

Healing Cap

L 5.2mm
Hex 1.25/Unigrip
MUL-NB-HAUG

MUA Scan Body

L 10mm
Hex 1.25/Unigrip
MUL-NB-SBUG

Closed Transfer

L 7.2mm
Hex 1.25/Unigrip
MUL-NB-PUPUG

Open Transfer

L1/L2 10.7/4.2mm
Hex 1.25/Unigrip
MUL-NB-OTUG

Temporary Sleeve

L 12mm
Hex 1.25/Unigrip
MUL-NB-SLVTIUG

Digital Analog

L 12mm
REF#
MUL-NB-DAN

Titanium Base

L 4.8mm
Hex 1.25/Unigrip
MUL-NB-TBRUG

Adhesive Cap

L 7.5mm
Hex 1.25/Unigrip
MUL-NB-ADRUG

Fixation Screw

Max. 15NCM
L 4.6mm
Hex 1.25/Unigrip
MUL-NB-TSUG

NikolasBase™

Max. 25NCM
L 5.2mm
Hex 1.25/Unigrip
MUL-NB-TBUG

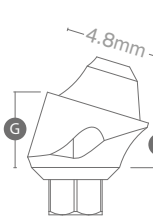


Multi Unit System

Multi-Clicq™ Line M1.6

Straight MUA Abutment - Multi-Clicq™ Line M1.6

						
H	1mm	2mm	3mm	4mm	5mm	6mm
Internal Hex						
Mass® NP	MUL-SV-NPKS10	MUL-SV-NPKS20	MUL-SV-NPKS30	MUL-SV-NPKS40	MUL-SV-NPKS50	MUL-SV-NPKS60

17° Angled - Multi-Clicq™ Line M1.6

		
H/G	1mm/2.5mm	2mm/3.5mm
Internal Hex	17°	17°
Mass® NP	MUL-SV-NPKS1710	MUL-SV-NPKS1720


30° Angled

	
1mm/3.5mm	2mm/4.5mm
30°	30°
MUL-SV-NPKS3010	MUL-SV-NPKS3020

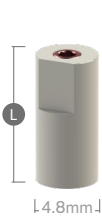
M1.6
Fixation Screw
Max. Torque 22NCM




Healing Cap


L 5.2mm
Hex 1.25/Unigrip
MUL-KS-HAUG

MUA Scan Body


L 10mm
Hex 1.25/Unigrip
MUL-KS-SBUG

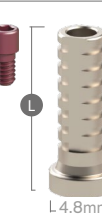
Closed Transfer


L 7.2mm
Hex 1.25/Unigrip
MUL-KS-PUPUG

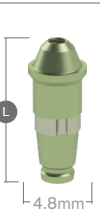
Open Transfer


L1/L2 10.7/4.2mm
Hex 1.25/Unigrip
MUL-KS-OTUG

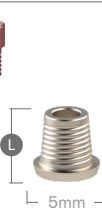
Temporary Sleeve


L 12mm
Hex 1.25/Unigrip
MUL-KS-SLVTIUG

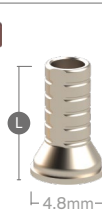
Digital Analog


L 12mm
REF#
MUL-KS-DAN

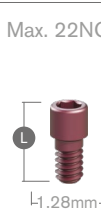
Titanium Base


L 4.8mm
Hex 1.25/Unigrip
MUL-KS-TBRUG

Adhesive Cap


L 7.5mm
Hex 1.25/Unigrip
MUL-KS-ADRUG

Fixation Screw

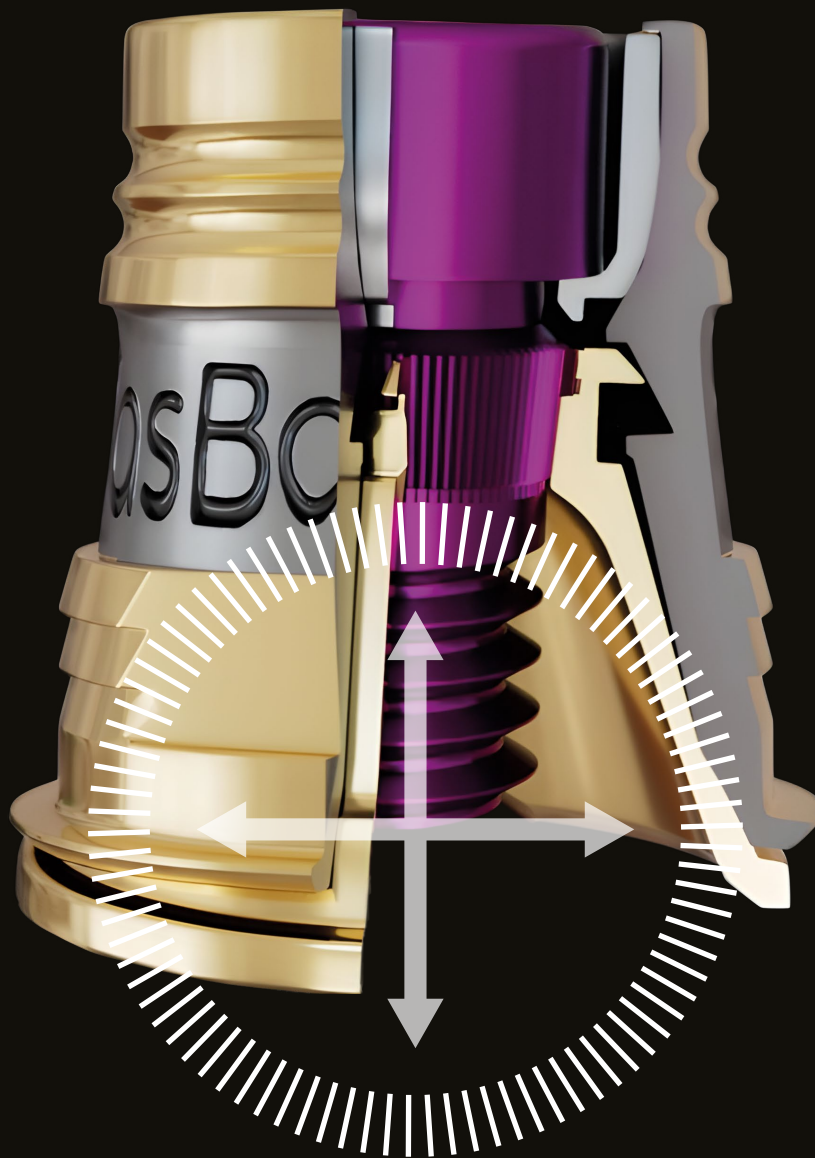
Max. 22NCM

L 4.6mm
Hex 1.25/Unigrip
MUL-KS-TSUG

NikolasBase™

Max. 25NCM

L 5.2mm
Hex 1.25/Unigrip
MUL-KS-TBUG

NikolasBase™



Self-Adjustable Adhesive Cap

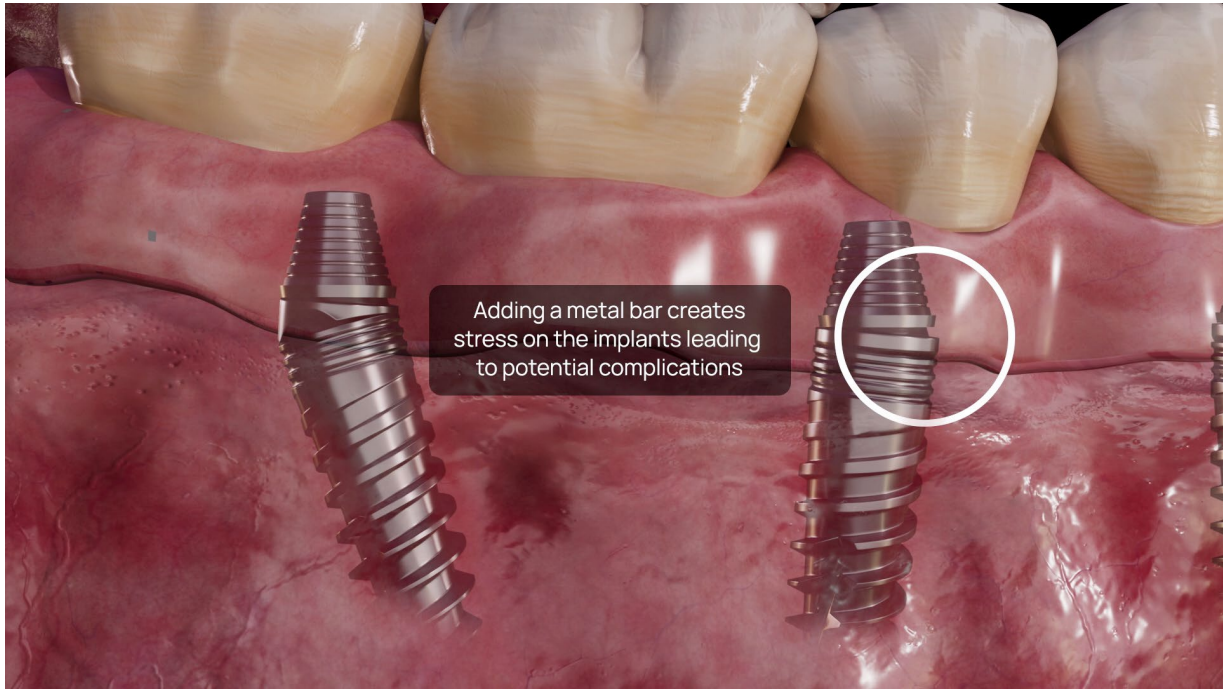
NikolasBase™

By Nikola Khoury

Self-Adjustable MUA Adhesive Cap



Standard MUA Ti-Base / Adhesive Cap

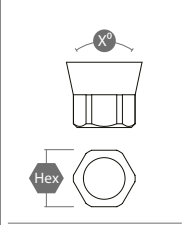
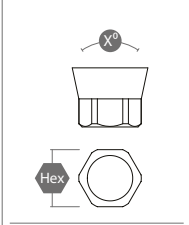
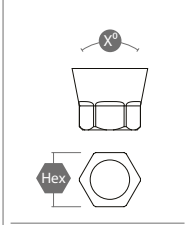
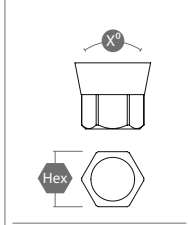
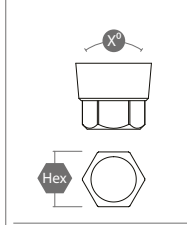
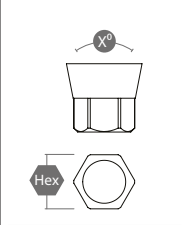
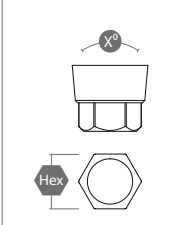
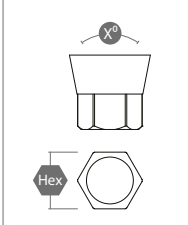
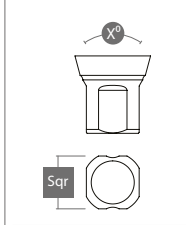
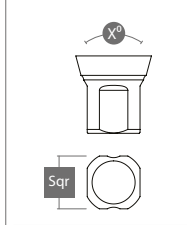


NikolasBase™ MUA Ti-Base / Adhesive Cap

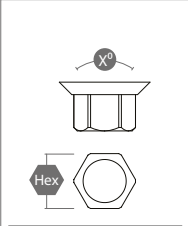
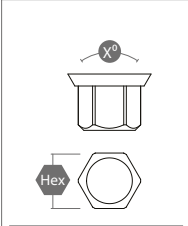
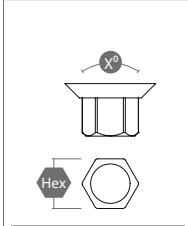
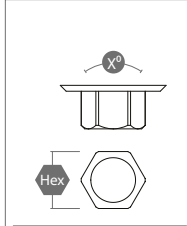


Platform Dimensions

Conical Connection

 <p>X° - 24° Hex - 2.25mm</p>	 <p>X° - 24° Hex - 2.65mm</p>	 <p>X° - 22° Hex - 2.5mm</p>	 <p>X° - 22° Hex - 2.1mm</p>	 <p>X° - 10° Hex - 2.35mm</p>
ARTIC® NP	ARTIC® RP	FORTIS® RP	iOS3® SP	MORSY® RP
NA-NP	NA-RP	TS-RP	OS-SP	AR-RP
 <p>X° - 22° Hex - 2.1mm</p>	 <p>X° - 16° Hex - 2.0mm</p>	 <p>X° - 22° Hex - 2.5mm</p>	 <p>X° - 30° Sqr - 2.0mm</p>	 <p>X° - 30° Sqr - 2.5mm</p>
T-Oss® NP	Nyo® RP	Astix® WP	Gross® NC	Gross® RC
TS-NP	GM-RP	OS-WP	CF-NC	CF-RC







Internal Hex

 <p>X° - 90° Hex - 2.43mm</p>	 <p>X° - 60° Hex - 2.0mm</p>	 <p>X° - 90° Hex - 2.1mm</p>	 <p>X° - 90° Hex - 2.43mm</p>
LAMINA® RP	Lgc® NL	Mass® NP	Zimax® WP
SV-RP	SV-NL	SV-NP	SV-WP





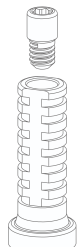
Screw Types

Recommended Tightening Torque

Screw Type

<p>Hex 1.25mm</p> 	<p>iOS3[®] SP T-Oss[®] NP/Mini Lgc[®] NL Mass[®] NP FORTIS[®] RP Astix[®] WP LAMINA[®] RP Zimax[®] WP</p>
<p>Hex 1.25mm</p> 	<p>Hex/Unigrip (Dual)</p>
<p>Unigrip UG</p> 	<p>ARTIC[®] NP ARTIC[®] RP</p>
<p>AR Hex 1.2mm</p> 	<p>MORSY[®] RP</p>
<p>Torx</p> 	<p>Gnoss[®] NC Gnoss[®] RC</p>
<p>GM</p> 	<p>Nyo[®] RP</p>

Tightening Torque

<p>Scan Bodies / Digital Transfers:</p> <p>A/B/C 8-10 NCM</p> 
<p>Straight Unibase™ Abutments:</p> <p>A 22 NCM B/C 30 NCM</p> 
<p>Angled Unibase™ Abutments:</p> <p>A/B/C 22 NCM</p> 
<p>Multi-Clicq™ - Multi-Unit Abutments:</p> <p>A 22 NCM Straight/Angled B/C 30 NCM Straight/Angled</p> 
<p>Multi Unit Components:</p> <p>Multi-Clicq M1.6 22 NCM Classic Multi Unit M1.4 15 NCM</p> 

A	
ARTIC[®]	NP
iOS3[®]	SP
T-Oss[®]	NP
Nyo[®]	RP
Gnoss[®]	NC
Gnoss[®]	RC
Lgc[®]	NL
Mass[®]	NP

B	
ARTIC[®]	RP
FORTIS[®]	RP
MORSY[®]	RP
Astix[®]	WP

C	
LAMINA[®]	RP
Zimax[®]	WP

a solution you
can **count** on.



 **Ritter Implants GmbH & Co. KG**

Freiburger Str. 45, 88400 Biberach, Germany
Tel: +49.7351.5292510

Headquarters: Edison Medical
4310 West Avenue, San Antonio, TX 78213, USA
Tel: +1.210.9793389 | edisonmed.com | zinon.dental